

WARING COMMERCIAL®

Heavy-Duty Double Waffle Maker

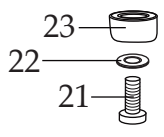
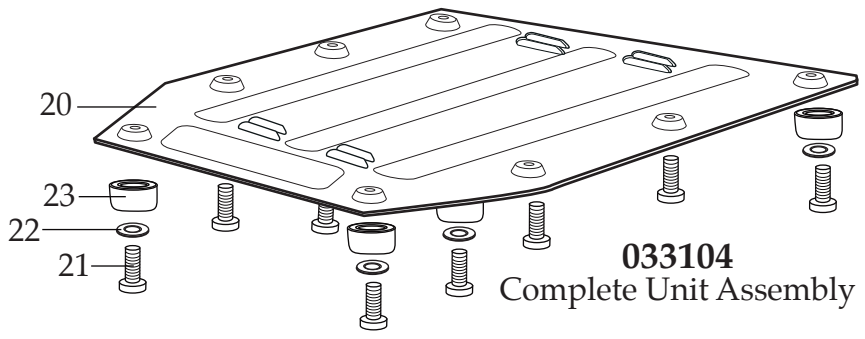
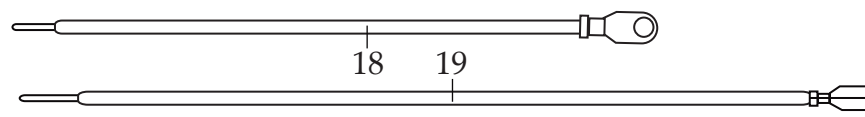
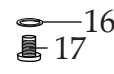
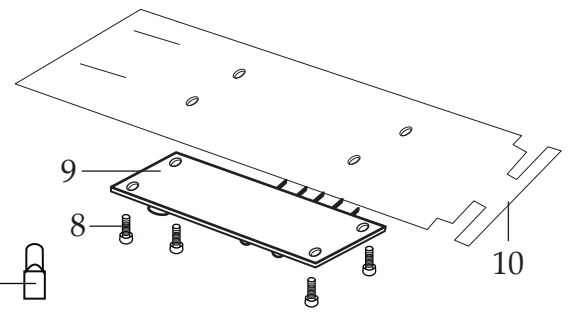
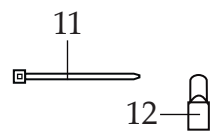
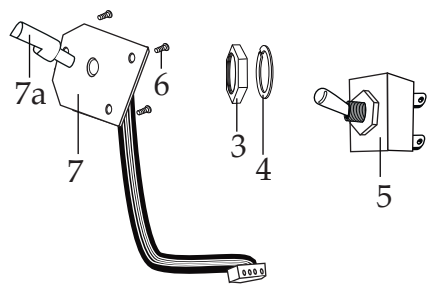
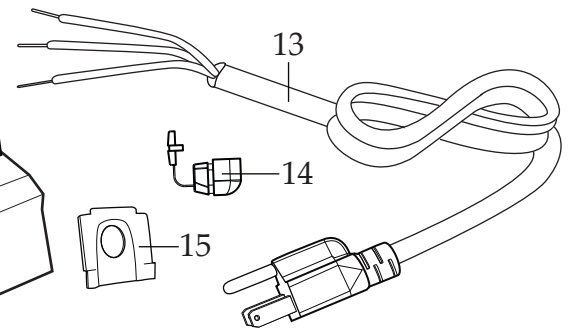
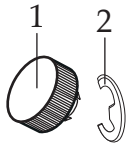
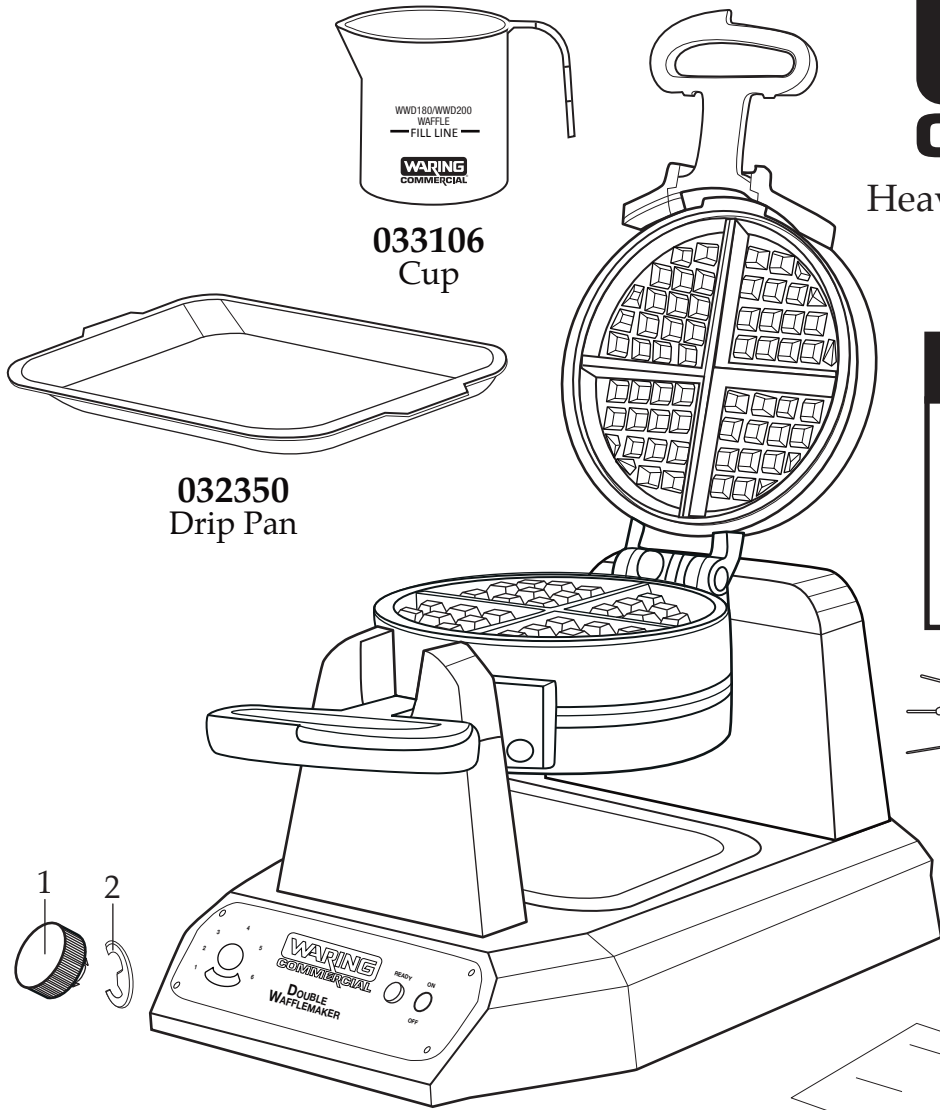
WWD200

Unit Information

1300 Watts – NEMA 5-15P

Delivers up to 60 $\frac{5}{8}$ " waffles per hour

Independent ready lights and audio beep signal when waffles are ready to serve



033104
Complete Unit Assembly

Illustration #	Part #	Description
1	032352	Browning Control Knob
2	032362	E Ring
3	016236	Hex Nut
4	032356	Washer
5	032368	ON-OFF Toggle Switch
6	032359	Screw (3 required)
7	032358	Darkness Control Panel (thermostat w/ Long Lead Tape)
7a	036241	Connector Pole (<i>changed 8/30/2017</i>)
8	032359	Screw (4 required)
9	033103	PC Board
10	030638	PCB Board Shield
11	013731	Wire Tie (7 required)
12	019123 012409	Large Crimp Connector (3 required) Small Crimp Connector (3 required)
13	032363	Cord Set
14	032361	Strain Relief
15	032371	Cord Plate
16	032360	Ground Spring Washer (2 required)
17	035298	Ground Screw (2 required)
18	032370	Green Lead
19	032367	17" Red Lead
20	032351	Bottom Plate
21	032355	Screw (8 required)
22	032354	Washer (4 required)
23	032353	Foot (4 required)