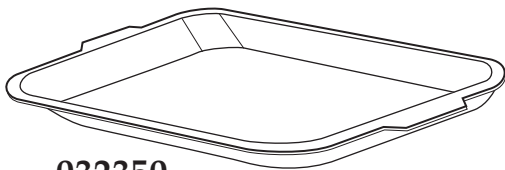


WARING COMMERCIAL®

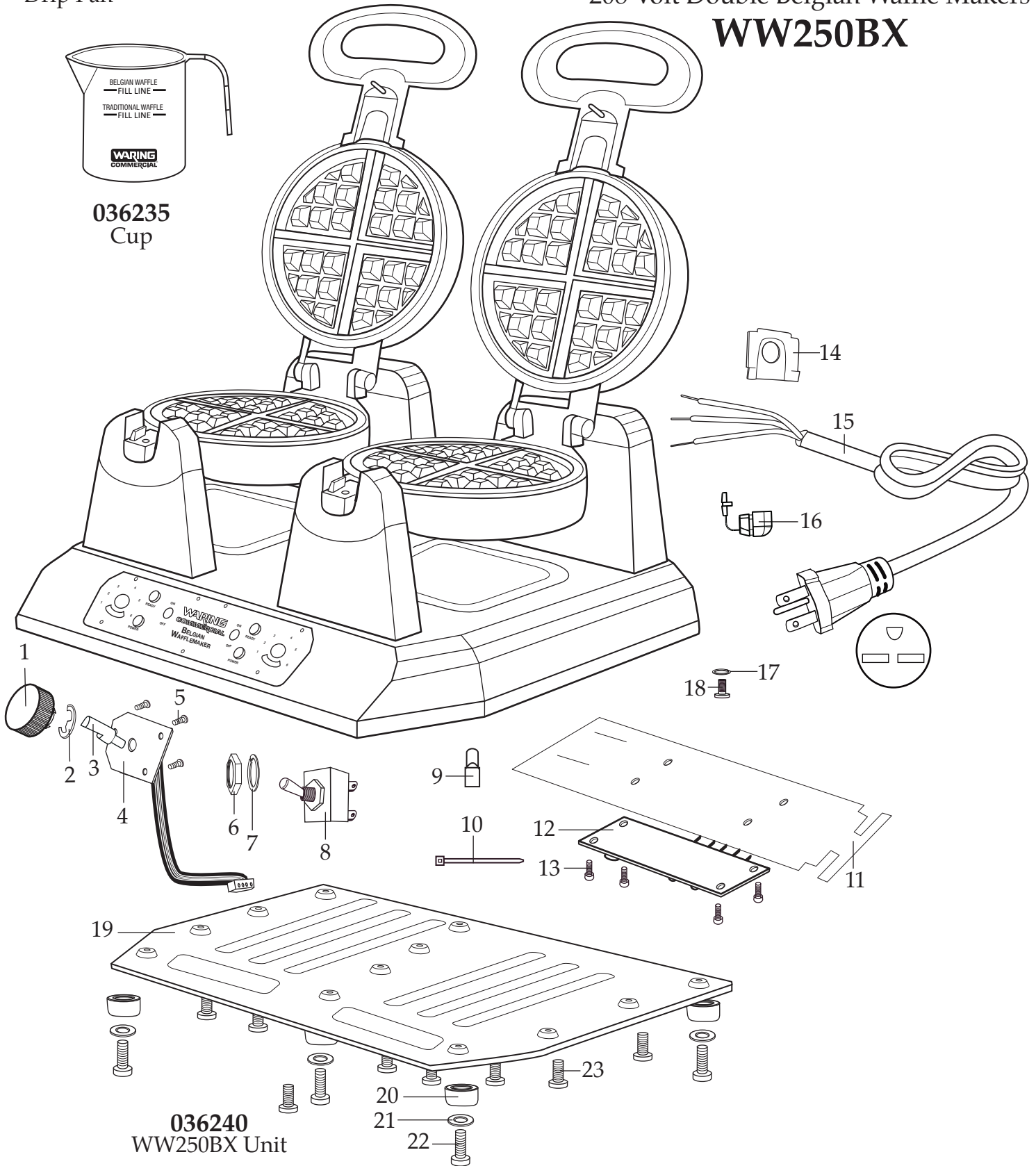
208 Volt Double Belgian Waffle Makers WW250BX



032350
Drip Pan



036235
Cup



036240
WW250BX Unit

Illustration#	Part#	Description
1	032352	Browning Control Knob (2 required per unit)
2	032362	E Ring (2 required per unit)
3	036241	Connector Pole (2 required per unit)
4	036236	Darkness Control Panel (2 required per unit)
5	032359	Screw (6 required per unit))
6	016236	Hex Nut (2 required per unit)
7	032356	Washer (2 required per unit)
8	036237	On/Off Toggle Switch (2 required per unit)
9	019123 012409	Large Crimp Connector (4 required per unit) Small Crimp Connector (2 required per unit)
10	013731	Wire Tie (8 required per unit)
11	030638	PCB Board Shield (2 required per unit)
12	036234	PCB Board (2 required per unit)
13	032359	Screw (8 required per unit)
14	032371	Cord Plate
15	036239	Cord Set (NEMA 6-15P)
16	032361	Strain Relief
17	032360	Ground Spring Washer (3 required per unit)
18	035298	Ground Screw (3 required per unit)
19	036238	Bottom Plate
20	032355	Foot Screw (4 required per unit)
21	032354	Foot Washer (4 required per unit)
22	032353	Foot (4 required per unit)
23	032750	Screw (8 required per unit)