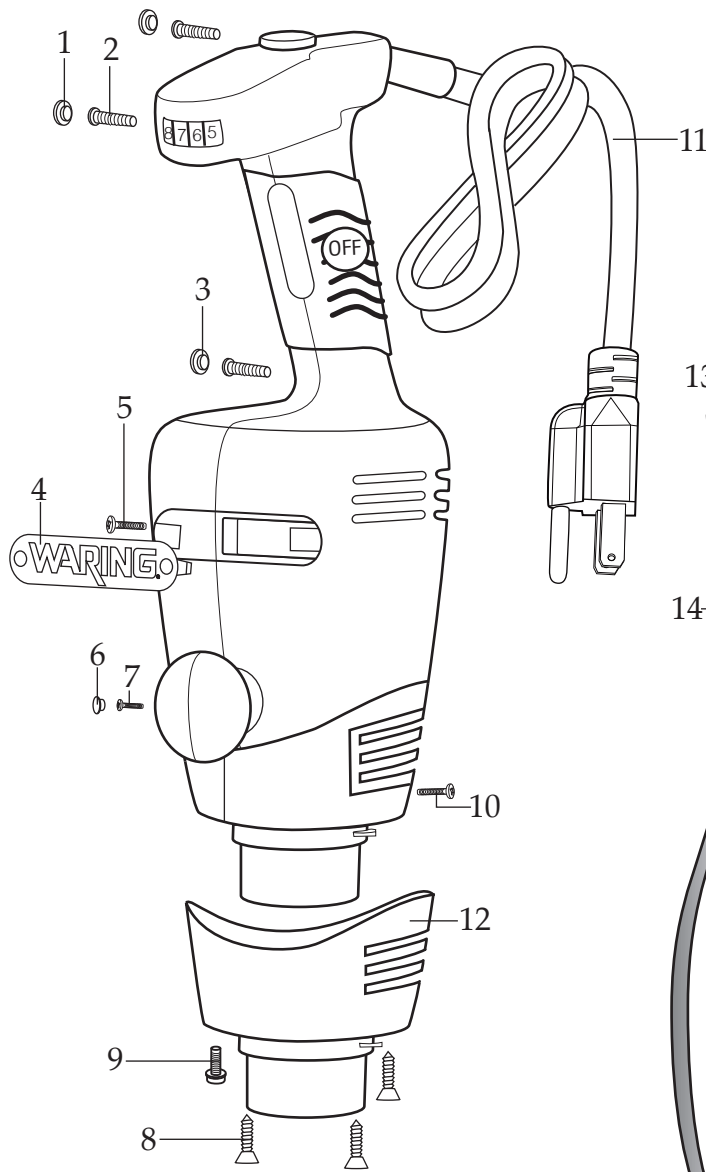
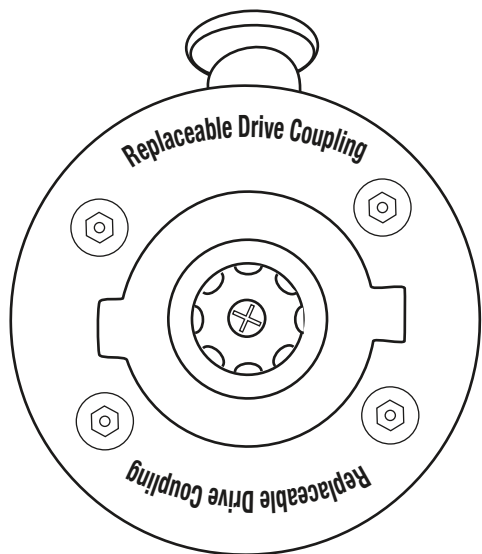
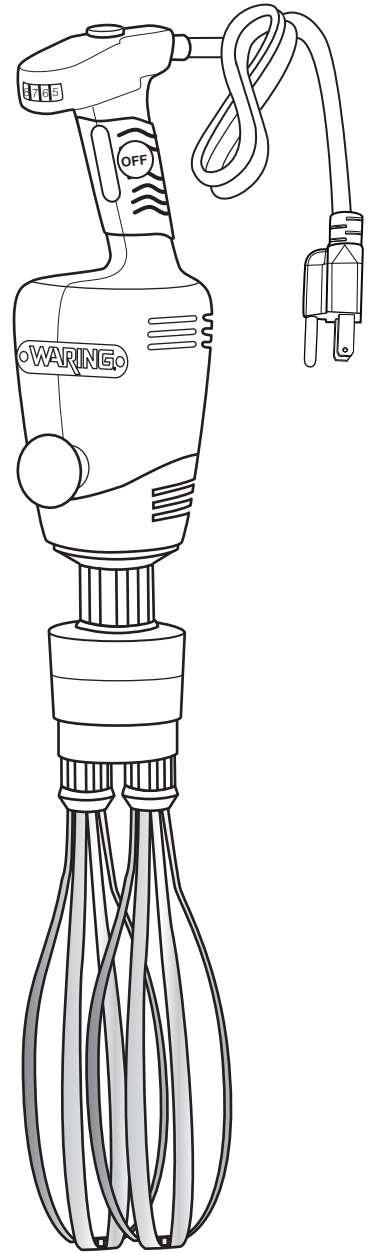
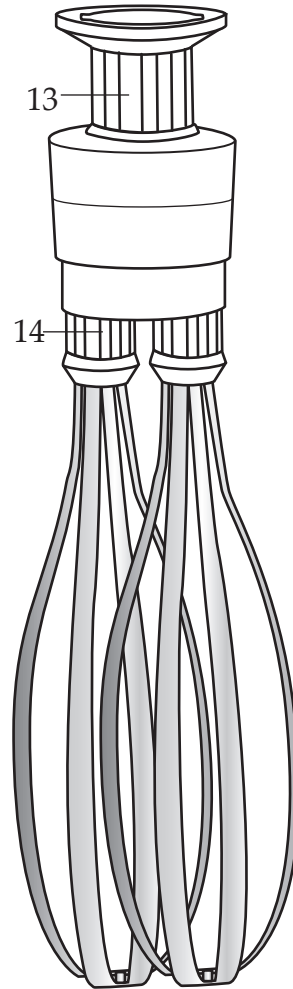


WARING COMMERCIAL

10" Big Stik® Whisk WSBPPW



502955 - WSB Power Pack



To use the 503357 kit the bottom of your Power Pack must look like this.

Unit Information

6.25 Amps
750 Watts
1 HP Motor
Max RPM's - 1600

503357 Kit Parts Included *(part changed in 2007)*

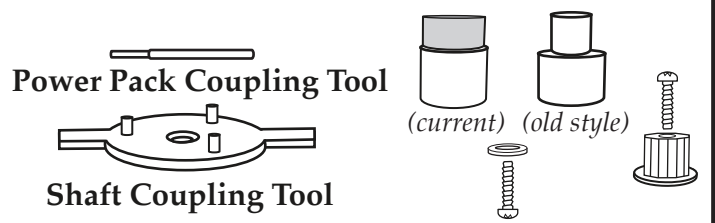


Illustration #	Part #	Description
1	029839	Hole Plug (2 required)
2	029840	Screw (3 required)
3	029905	Hole Plug
4	029841	Name Plate Panel
5	029842	Screw
6	029843	Hole Plug
7	029844	Screw
8	029845	Screw (3 required)
9	029846	Screw
10	029844	Screw
11	030442	Cord Set
12	030440	Housing Cover
13	029006	Base
14	029007	Beater (set)

Internal Component

