



WSB33X

7" Light-Duty Quik Stick® Immersion Blender



MAIN FEATURES

- Newly designed, all-purpose stainless steel blade
- 2-speed, high-efficiency motor
- 7" fixed shaft
- Lightweight and compact
- Perfect for all light-duty commercial applications
- 3-gallon, 12-quart capacity
- Limited One Year Warranty

ELECTRICAL

Voltage: 120

Frequency: 60Hz

Watts: 100

Amps: 8

Plug Type: NEMA 5-15P ⓘ

Cord Length: 6 feet



SALES FEATURES

The Waring® WSB33X immersion blender is perfect for quick, light-duty applications, such as puréeing fruit or whipping up eggs in a shallow bowl or pan. Its 7-inch fixed shaft and aggressive stainless steel blade design work quickly, while the lightweight, ergonomic construction is easy and comfortable to use. Get great flexibility and reliable performance in a small package.



@waringcommercial

©2022 Waring Commercial
314 Ella T. Grasso Avenue, Torrington, CT 06790
Tel. 800-492-7464 • Fax 860-496-9008

waringcommercialproducts.com

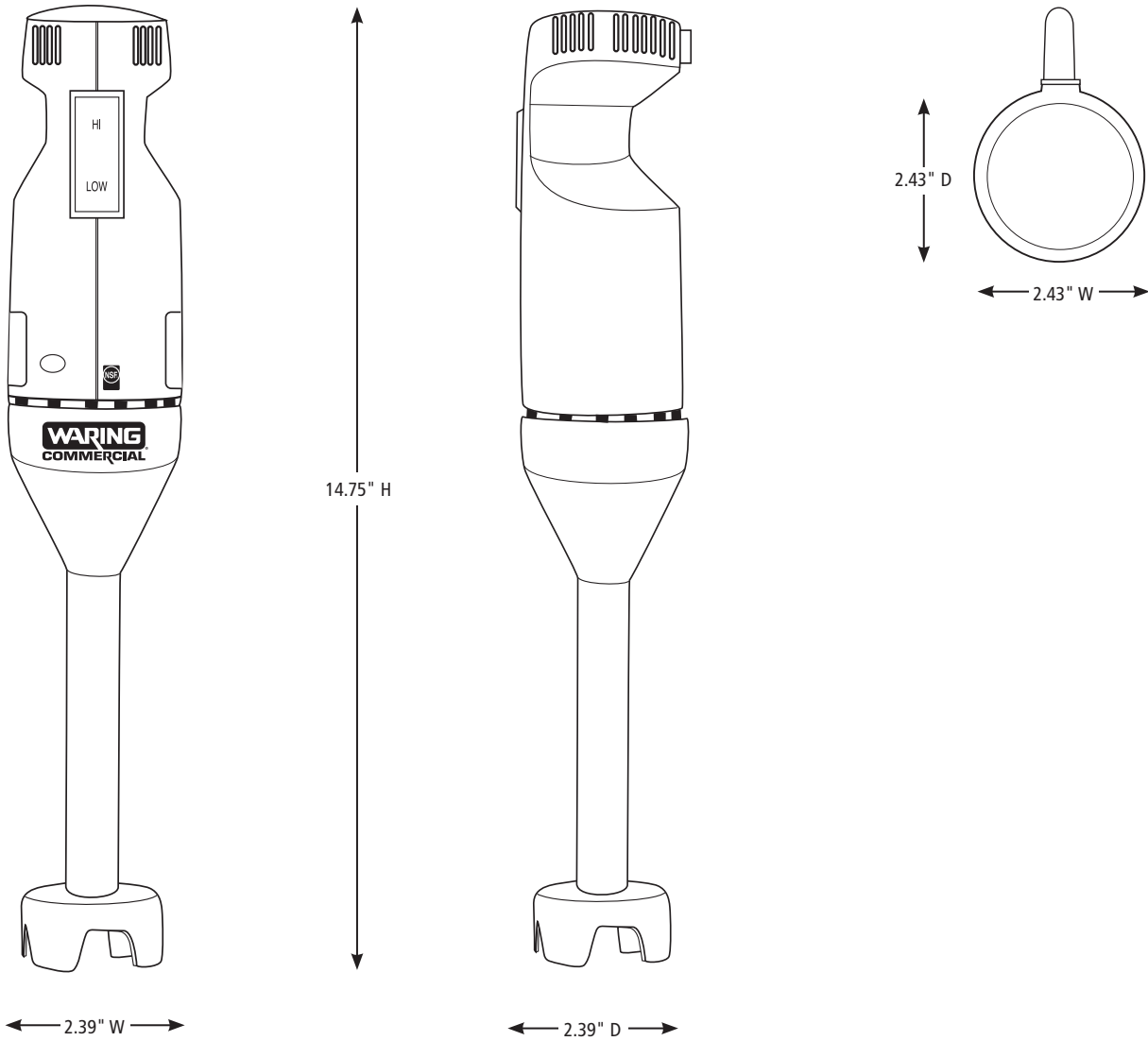
7" Light-Duty Quik Stick® Immersion Blender

WSB33X



7" Light-Duty Quik Stick® Immersion Blender WSB33X

DIMENSIONS



Out of Box Weight: 2.9 lb.

ORDERING INFORMATION	#STD. PKG.	GIFTBOX WEIGHT	CUBIC FEET	BOX DIMENSIONS D X W X H	UPC	CASE PKG.	MC WEIGHT	MC DIMENSIONS D X W X H	MBC
WSB33X – 7" Light-Duty Quik Stick® Immersion Blender	1	3.10 lb.	.187	16.0" x 4.5" x 6.5"	040072022029	6	17.4 lb.	16.75" x 9.25" x 14.375"	10040072022026



@waringcommercial

©2022 Waring Commercial
314 Ella T. Grasso Avenue, Torrington, CT 06790
Tel. 800-492-7464 • Fax 860-496-9008

waringcommercialproducts.com

22WC083126 / REV 02/22