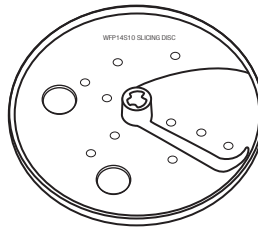
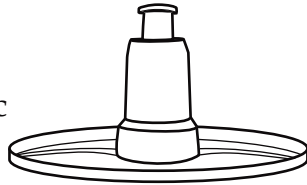


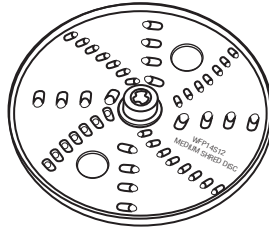
032218
2mm - 5/64"
Fine Grating Disc



032523
Adjustable Slicing Disc



032583
Sealed
Whipping Disc



032527
Reversible Shredding Disc

WARING
COMMERCIAL

3.5 Qt. Food Processors

WFP14S

sealed batch bowl

WFP14SC

sealed batch bowl and continuous feed

Unit Information

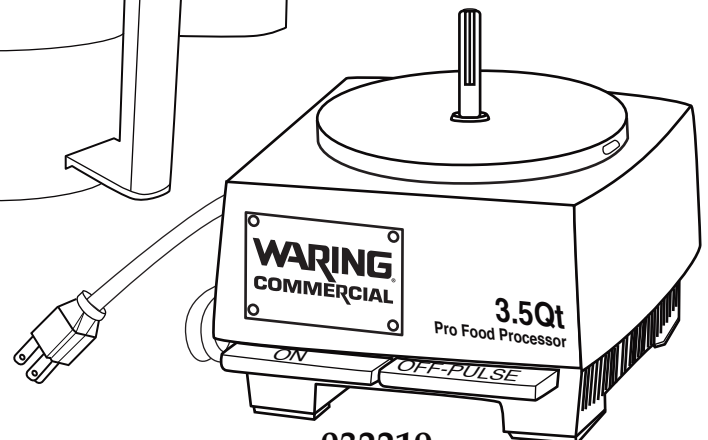
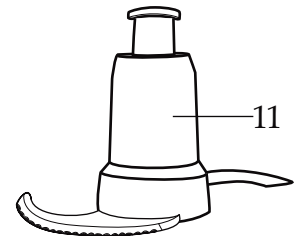
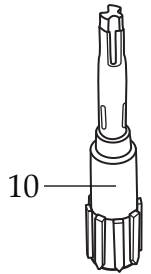
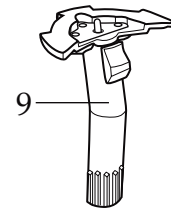
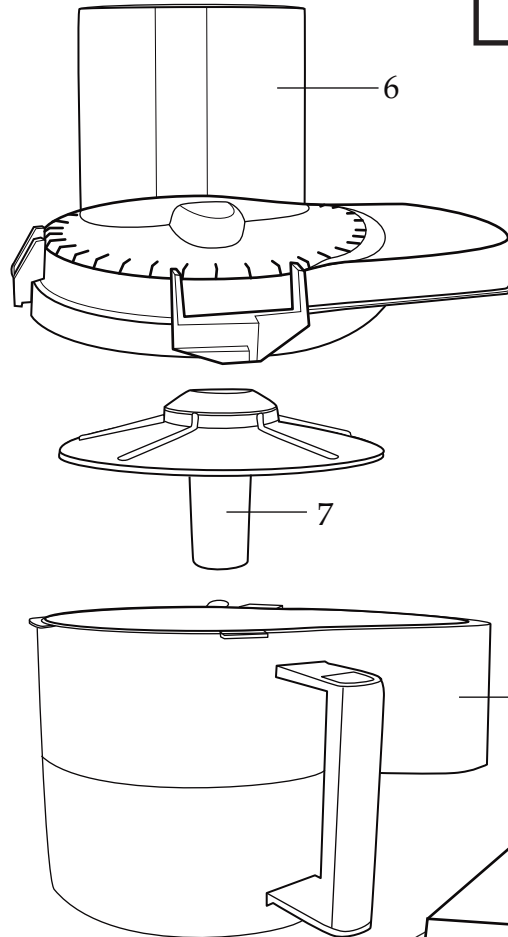
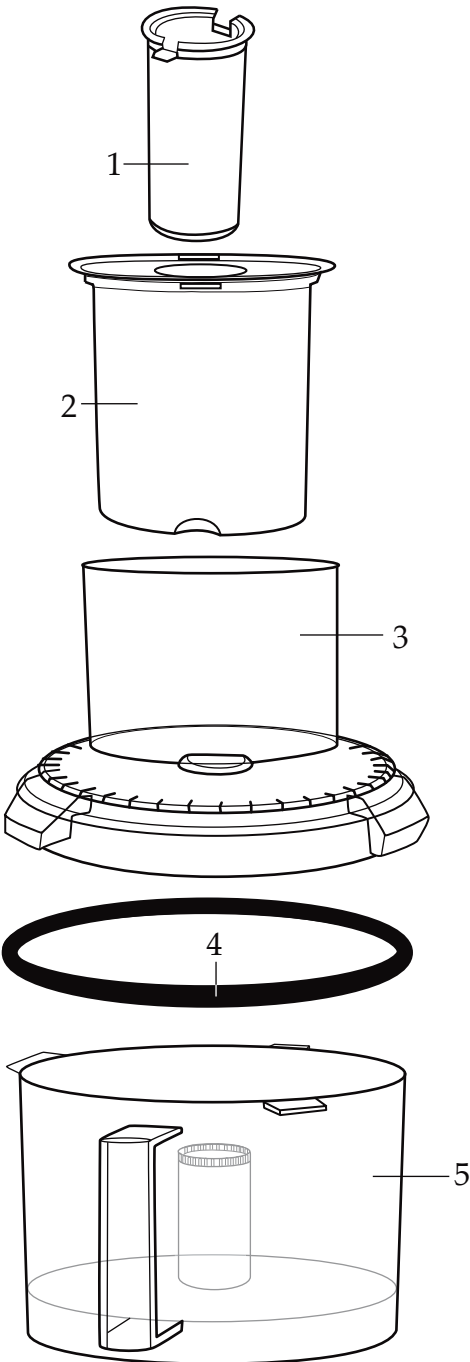
6 Amps MAX

3.5 Quart Bowl

1 HP Motor

5 Yr Motor - 2 Yr

Parts & Labor Warranty



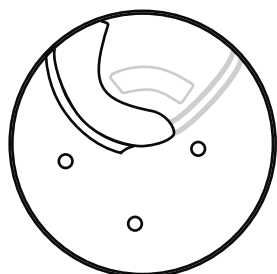
032219
Base Unit Assembly

Catalog/Model

WFP14S
WFP14SC

Waring Factory Service Center
314 Ella T. Grasso Ave.
Torrington, CT 06790
Tele. 1-800-269-6640
Fax 860-496-9017
www.waringcommercialproducts.com

Illustration #	Part #	Description
1	032221	Small Pusher
2	032220	Large Pusher
3	032222	Bowl Cover
4	030562	Cover Seal
5	030563	Bowl
6	032223	Continuous Feed Cover
7	030566	Slinger
8	030565	Continuous Feed Bowl
9	030567	Disc Stem
10	032521	Adjustable Disc Stem
11	030568	Serrated S Blade



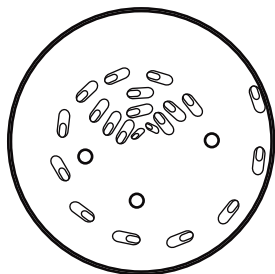
Slicing Disc

032238
5/64" (2mm)

032216
5/32" (4mm)

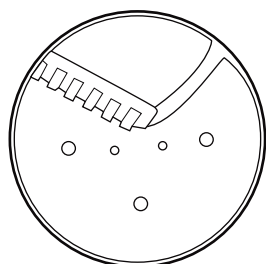
032529
1/4" (6mm)

032530
5/16" (8mm)



Shredding Disc

032217
5/32" (4mm)



French-Fry Disc

032531
1/4" x 1/4" (6 x 6mm)

Internal Components

