

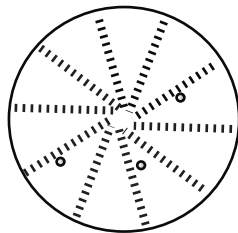
# WARING COMMERCIAL

2.5-Quart Sealed Batch Bowl  
Food Processor

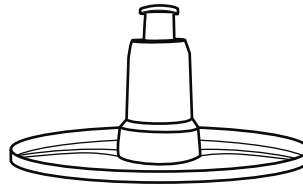
## WFP11S

### Unit Information

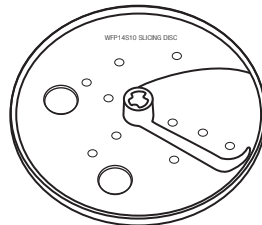
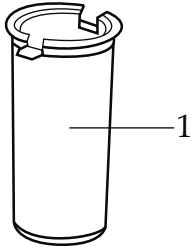
5 Amps MAX  
3/4 HP Motor  
5 Yr Motor - 2 Yr Parts & Labor Warranty



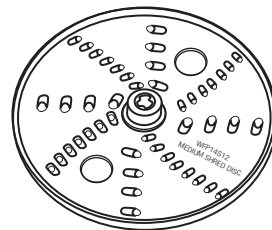
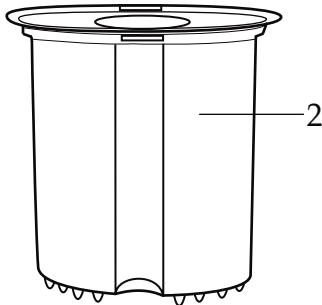
**032280**  
2mm - 5/64"  
Fine Grating Disc



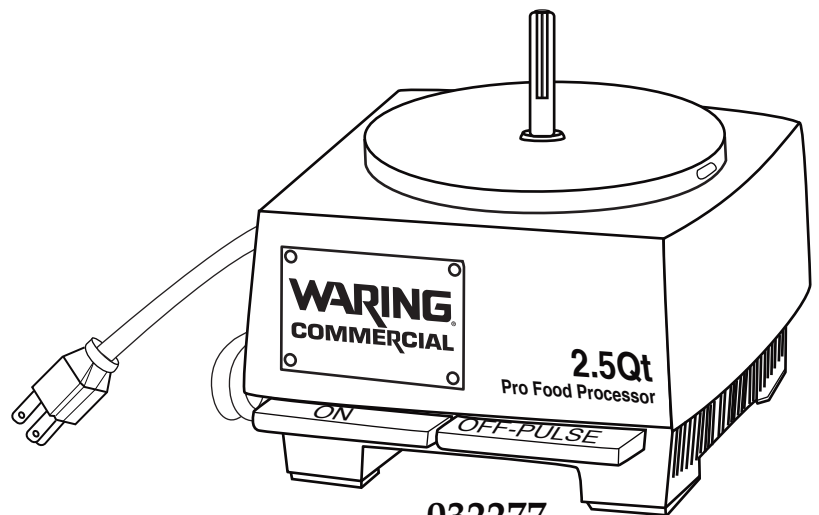
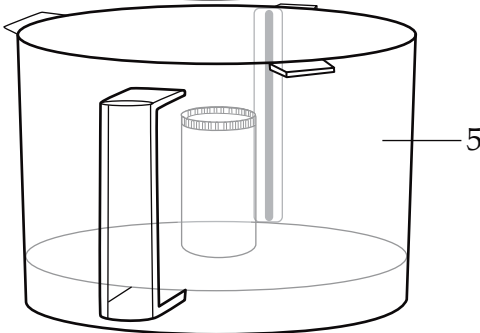
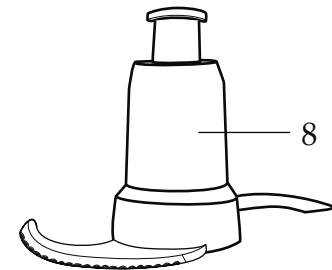
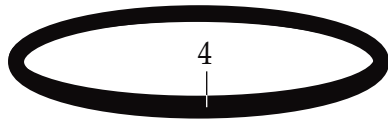
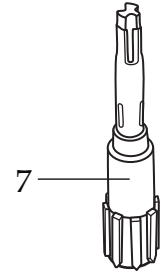
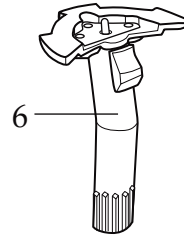
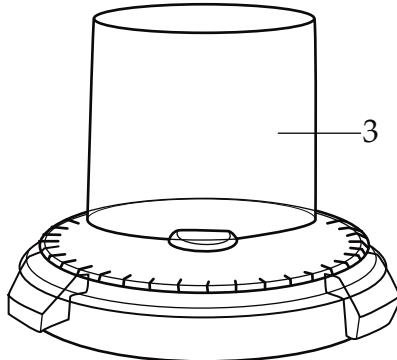
**032417**  
Sealed  
Whipping Disc



**032793**  
Adjustable Slicing Disc

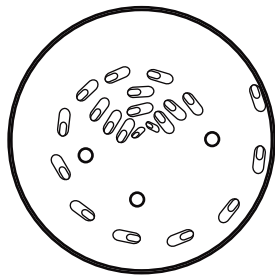


**032794**  
Reversible Shredding Disc



**032277**  
Base Unit Assembly

Illustration #	Part #	Description
1	032221	Small Pusher
2	033203	Large Pusher
3	032791 032281	Bowl Cover with bump Bowl Cover no bump ( <i>older units</i> )
4	032282	Cover Seal
5	032283	Bowl
6	032284	Disc Stem
7	032792	Disc Stem (adjustable)
8	032285	Serrated S Blade



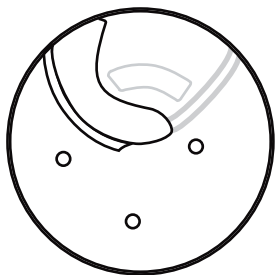
**Shredding Disc**

032279

5/32" (4mm)

032520

5/64" (2mm)



**Slicing Disc**

032524

1/4" (6mm)

032278

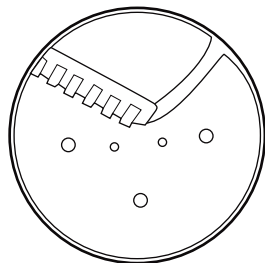
5/32" (4mm)

032522

1/8" (3mm)

032288

5/64" (2mm)



**French-Fry Disc**

032526

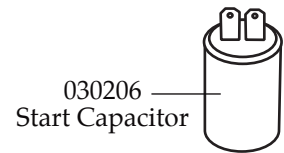
1/4" x 1/4" (6 x 6mm)

**Julienne Disc**

032525

1/8" x 1/8" (3 x 3mm)

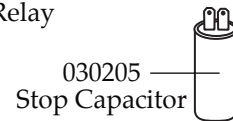
**Internal Components**



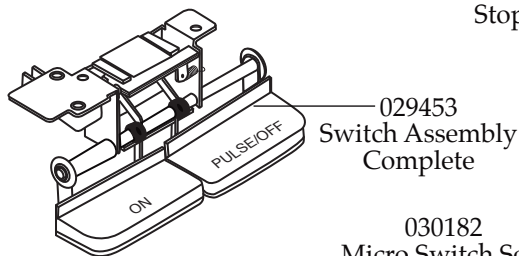
030206 Start Capacitor



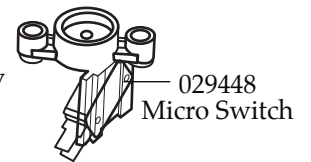
030177 Starting Relay



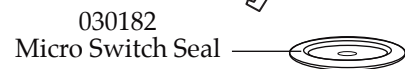
030205 Stop Capacitor



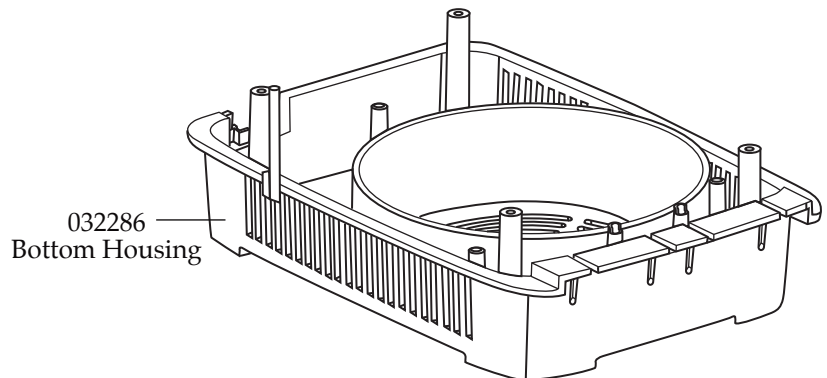
029453 Switch Assembly Complete



029448 Micro Switch



030182 Micro Switch Seal



032286 Bottom Housing