



WDG250

Large Italian-Style Panini Grill



Large Italian-Style Panini Grill



MAIN FEATURES

- Ribbed top and flat bottom cast-iron plates are great for grilled panini sandwiches, hamburgers, chicken, vegetables and more
- 14.5" x 11" cooking surface with hinged, auto-balancing top plate to handle foods up to 3" thick
- Brushed stainless steel body construction and removable drip tray
- Adjustable thermostat to 570°F
- Adjustable back feet for easy grease drainage
- Power ON and READY indicator lights
- Heat-resistant handles; no need for mitts or potholders
- Limited One Year Warranty

ELECTRICAL

Voltage: 120

Frequency: 60Hz

Watts: 1800

Amps: 15

Plug Type: NEMA 5-15P 

Cord Length: 5 feet



SALES FEATURES

Make perfectly grilled panini sandwiches and more with the 120V Waring® WDG250 Large Italian-Style Panini Grill. Grooved, top cast-iron plate and flat cast-iron plate on the bottom heat evenly and quickly to cook sandwiches, burgers, chicken, and vegetables up to 3" thick. Its brushed stainless steel body and removable drip tray are easy to clean. Includes POWER and READY indicator lights.



@waringcommercial

©2020 Waring Commercial
314 Ella T. Grasso Avenue, Torrington, CT 06790
Tel. 800-492-7464 • Fax 860-496-9008

waringcommercialproducts.com

WDG250



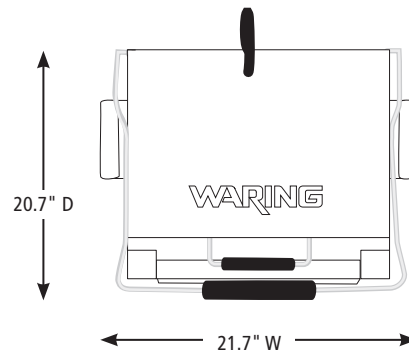
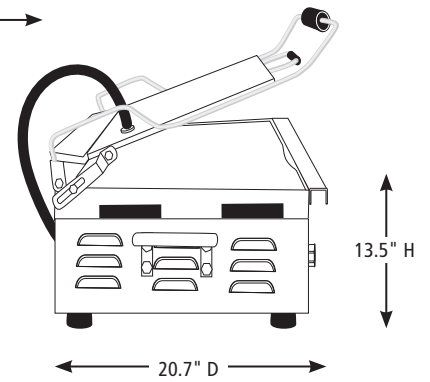
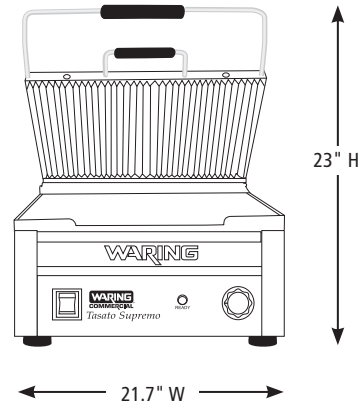
Large Italian-Style Panini Grill WDG250

PARTS & ACCESSORIES



CAC105 Cleaning Brush

DIMENSIONS



Out of Box Weight: 72 lb.

| ORDERING INFORMATION | #STD. PKG. | GIFTBOX WEIGHT | CUBIC FEET | BOX DIMENSIONS D X W X H | UPC | CASE PKG. | MC WEIGHT | MC DIMENSIONS D X W X H | MBC |
|---|------------|----------------|------------|----------------------------|--------------|-----------|-----------|-------------------------|----------------|
| WDG250 – Large Italian-Style Panini Grill | 1 | 71.55 | 3.5 | 21.625" x 20.625" x 13.75" | 040072008269 | 1 | 74.45 | 22.25" x 21.5" x 14.5" | 10040072008266 |



@waringcommercial

©2020 Waring Commercial
314 Ella T. Grasso Avenue, Torrington, CT 06790
Tel. 800-492-7464 • Fax 860-496-9008

waringcommercialproducts.com

20WC071644 / REV 04/20