




# Unit Information

WFG250, WPG250 1800 Watts - 120 volt  NEMA 5-15  
 WPG250B 2400 Watts - 208 volt  NEMA 6-20  
 WFG250C, WPG250C 1800 Watts - 120 volt  NEMA 5-20

Grill takes about 10 minutes to warm up.  
 The WPB250B will heat-up and recover 32% faster than the WPG250

14.5 x 11" Cooking Surface  
 Flat, Ribbed or Flat & Ribbed Cast Iron Plates



Panini Supremo® / Tostato Supremo®  
 Large Italian-Style Panini Grills

Ribbed Top & Flat Bottom

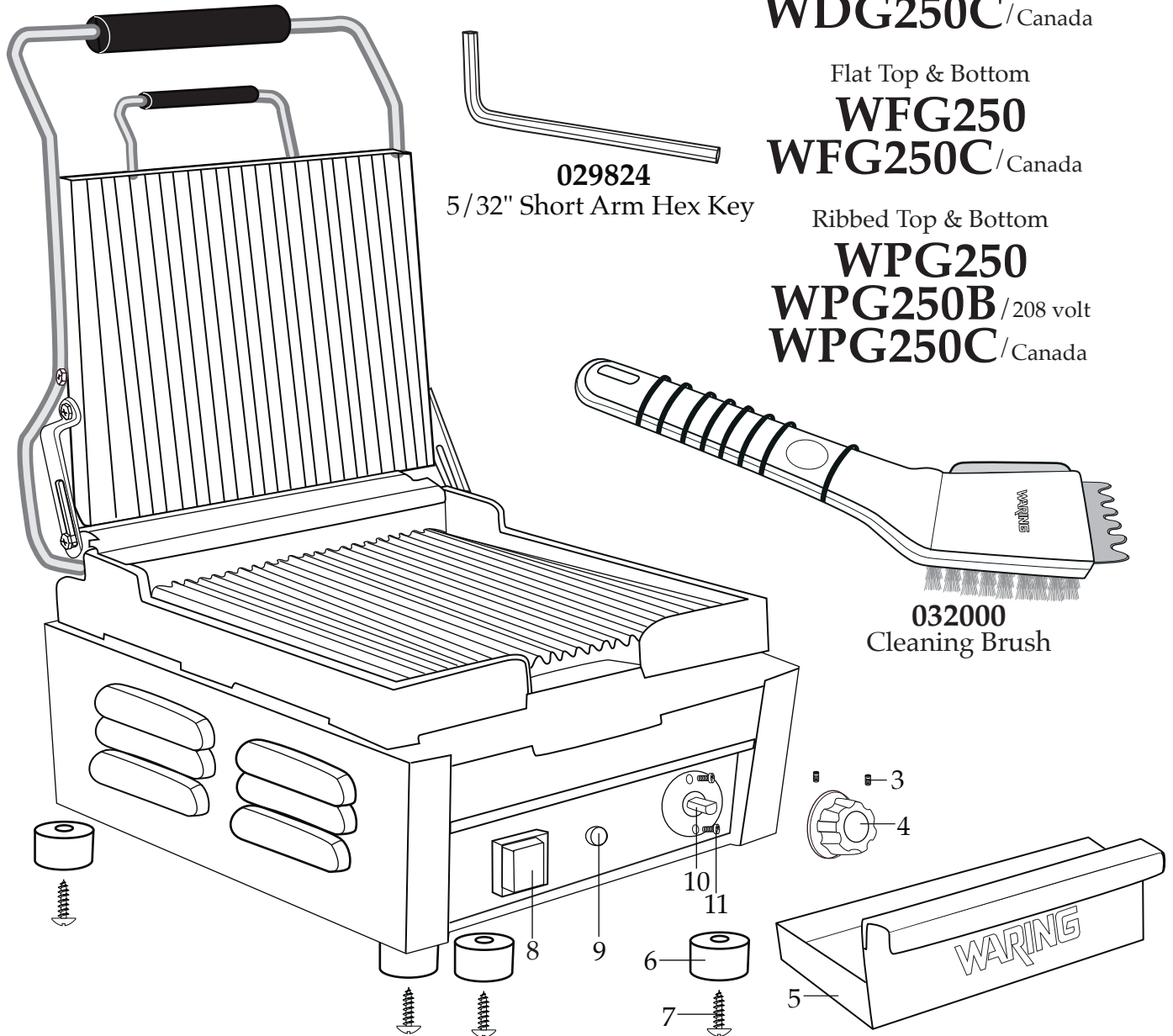
**WDG250**  
**WDG250C** / Canada

Flat Top & Bottom

**WFG250**  
**WFG250C** / Canada

Ribbed Top & Bottom

**WPG250**  
**WPG250B** / 208 volt  
**WPG250C** / Canada



**029824**  
 5/32" Short Arm Hex Key

**032000**  
 Cleaning Brush

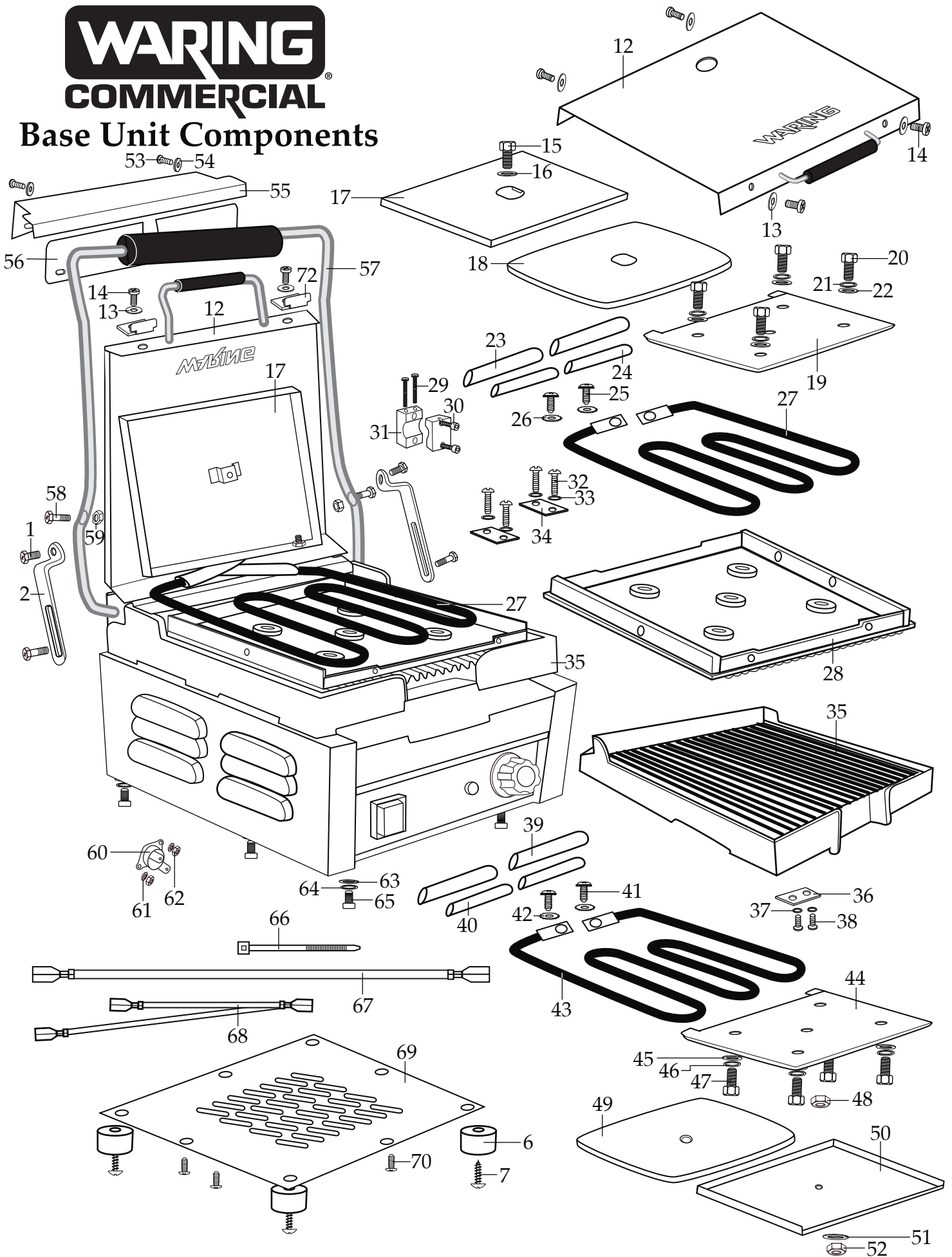
- 503184** WDG250 Base Unit Assembly
- 503185** WDG250C Base Unit Assembly
- 503133** WFG250 Base Unit Assembly
- 503304** WFG250C Base Unit Assembly
- 503134** WPG250 Base Unit Assembly
- 503245** WPG250B Base Unit Assembly
- 503305** WPG250C Base Unit Assembly



← Date Code Location  
 YY|MM|DD  
 year year | month month | day day

# WARING COMMERCIAL®

## Base Unit Components



## Catalog/Model

WDG250  
WDG250C  
WFG250  
WFG250C

WPG250  
WPG250B  
WPG250C

**WARING**  
**COMMERCIAL**

314 Ella T. Grasso Ave.  
Torrington, CT 06790  
Tele. 1-800-269-6640  
Fax 860-496-9017

[www.waringcommercialproducts.com](http://www.waringcommercialproducts.com)

<b>Illustration#</b>	<b>Part#</b>	<b>Description</b>
1	028625	Pivot Bracket Screw Set (1 large & 1 small 2 sets required)
2	028624	Pivot Bracket (2 required)
3	028627	Set Screw (2 required)
4	028626	Control Knob
5	029503	Drip Tray
6	028622	Foot (4 required)
7	028623	Foot Screw (4 required)
8	029477 029478	On-Off Switch WPG250B On-Off Switch
9	029941 030018	Indicator Light WPG250B Indicator Light
10	029942 030013	Thermostat Thermostat for WPG250B
11	029943	Thermostat Screw (2 required)
12	029945	Cover
13	029946	Washer (4 required)
14	035012	Screw (4 required)
15	029950	Hex Head Bolt
16	029951	Washer
17	029953	Top Insulation Plate
18	029949	Top Insulation
19	029955	Top Element Plate
20	029962	Hex Head Bolt (4 required)
21	029963	Spring Washer (4 required)
22	029964	Washer (4 required)
23	029956	Fiber Sleeve (2 required)
24	029957	Plastic Sleeve (2 required)
25	029958	Screw (2 required)
26	029959	Washer (2 required)
27	029961 030020	6 Amps Top Element WPG250B Top Element

## Catalog/Model

WDG250  
WDG250C      WPG250  
                  WPG250B  
WFG250      WPG250C  
WFG250C

**WARING**  
**COMMERCIAL**  
314 Ella T. Grasso Ave.  
Torrington, CT 06790  
Tele. 1-800-269-6640  
Fax 860-496-9017  
[www.waringcommercialproducts.com](http://www.waringcommercialproducts.com)

Illustration#	Part#	Description
28	029967 029968	Ribbed Top Grill Plate Flat Top Grill Plate
29	036549 030054	Screw (2 required <i>on units after 10/18/2017</i> ) Screw
30	036550 030055	Tension Bolts (2 required <i>on units after 10/18/2017</i> ) Tension Screw
31	036548 030056	2 Piece Tension Bracket ( <i>on units after 10/18/2017</i> ) Tension Bracket
32	029992	Screw (4 required)
33	029993	Spring Washer (4 required)
34	029995	Large Handle Bracket (2 required)
35	036554 029971 036553 029972	Ribbed Bottom Grill Plate ( <i>on units after 10/18/2017</i> ) Ribbed Bottom Grill Plate Flat Bottom Grill Plate ( <i>on units after 10/18/2017</i> ) Flat Bottom Grill Plate
36	029973	Thermostat Bracket
37	029974	Washer (2 required)
38	029975	Screw (2 required)
39	029956	Fiber Sleeve (2 required)
40	029957	Plastic Sleeve (2 required)
41	029958	Screw (2 required)
42	029959	Washer (2 required)
43	029977 030021	8 Amps Bottom Element WPG250B Bottom Element
44	029979	Bottom Element Plate
45	029964	Washer (4 required)
46	029963	Spring Washer (4 required)
47	029962	Hex Head Bolt (4 required)
48	029980	Nut
49	029982	Bottom Insulation
50	029984	Bottom Insulation Plate
51	029951	Washer
52	029980	Nut

## Catalog/Model

WDG250      WPG250  
WDG250C    WPG250B  
WFG250      WPG250C  
WFG250C

**WARING**  
**COMMERCIAL**  
314 Ella T. Grasso Ave.  
Torrington, CT 06790  
Tele. 1-800-269-6640  
Fax 860-496-9017  
[www.waringcommercialproducts.com](http://www.waringcommercialproducts.com)

Illustration#	Part#	Description
53	029985	Screw (2 required)
54	029986	Washer (2 required)
55	036551 030007	Rear Cover with Tension Cover <i>(on units after 10/18/2017)</i> Rear Cover with Tension Cover
56	036552 030008	Rear Cover Plate with Tension Hole <i>(on units after 10/18/2017)</i> Rear Cover Plate with Tension Hole
57	036547 030009	Large Handle <i>(on units after 10/18/2017)</i> Large Handle
58	029990	Hex Head Screw (2 required)
59	029991	Nut (2 required)
60	029996 030014	Thermal Cut-off WPG250B Thermal Cut-off
61	029997	Washer (2 required)
62	029998	Nut (2 required)
63	029999	Washer (4 required)
64	030000	Spring Washer (4 required)
65	030001	Bolt (4 required)
66	013731	Wire Tie (7 required)
67	030003	17" Red Lead
68	030004	Joined Red & White Lead
69	030002	Bottom Housing Plate
70	030006	Screw (4 required)

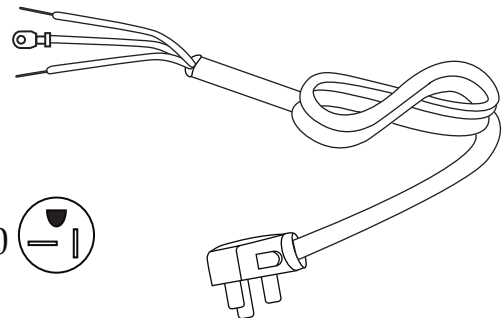
**033681** - Cord 120 volt NEMA 5-15



**033682** - Cord 208 Volt NEMA 6-20



**033683** - Cord Canadian Unit NEMA 5-20



**\* Certified replacement of the cord set can only be performed by an Authorized Service Center or the Waring Factory Service Center.**

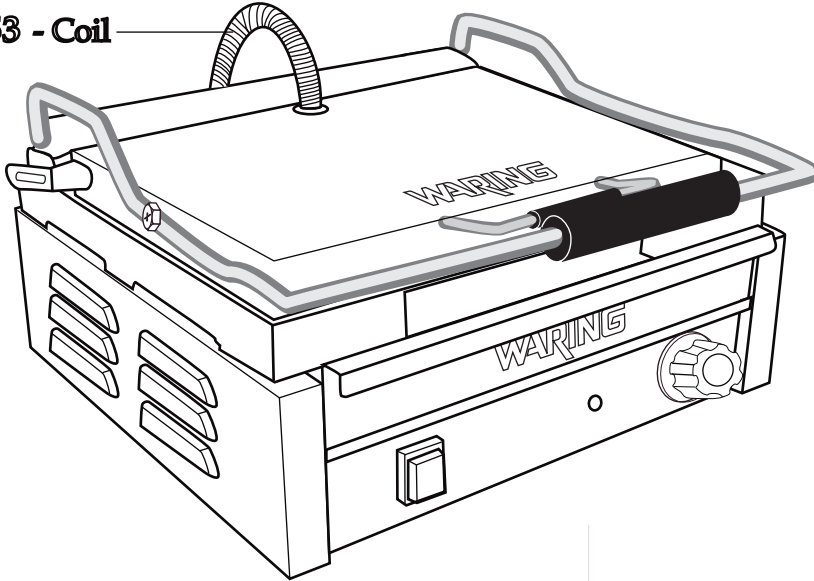
Catalog/Model

- WDG250      WPG250
- WDG250C    WPG250B
- WFG250      WPG250C
- WFG250C

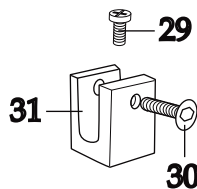
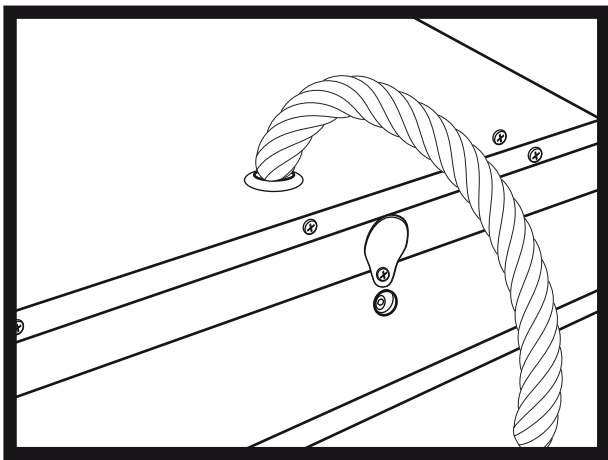
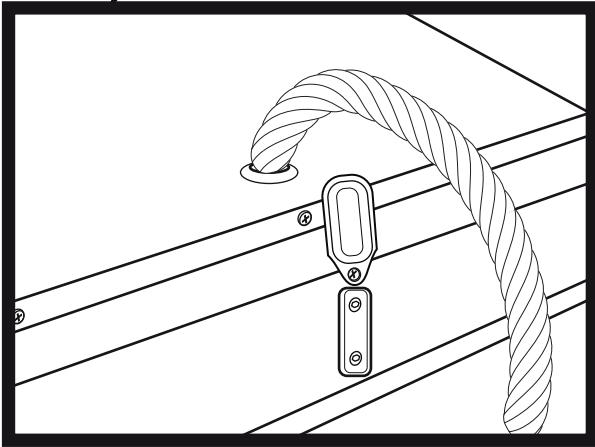
**WARING**  
COMMERCIAL

314 Ella T. Grasso Ave.  
Torrington, CT 06790  
Tele. 1-800-269-6640  
Fax 860-496-9017  
www.waringcommercialproducts.com

033053 - Coil



(on units after 10/18/2017)



**1st Generation  
Tension Bracket**

