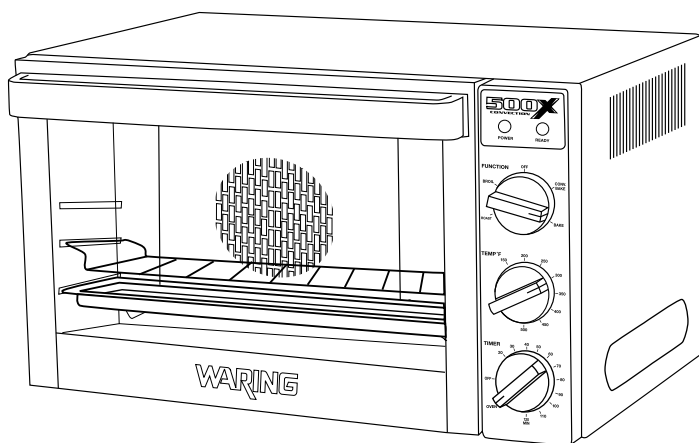


WARING® COMMERCIAL

HALF-SIZE HEAVY-DUTY
CONVECTION OVEN

HORNO DE CONVECCIÓN
COMERCIAL DE 42 L

FOUR À CONVECTION
COMMERCIAL DE 42 L



WCO500X/WCO500XC

1.5 cu. ft. capacity

Capacidad de 42 L

Capacité de 42 L

For your safety and continued enjoyment of this product,
always read the instruction book carefully before using.

Para su seguridad y para disfrutar plenamente de este producto,
siempre lea las instrucciones cuidadosamente antes de usarlo.

Afin que votre appareil vous procure en toute sécurité beaucoup de satisfaction,
lire attentivement le mode d'emploi avant de l'utiliser.

IMPORTANT SAFEGUARDS

When using electrical appliances, basic safety precautions should always be followed to reduce the risk of fire, electric shock and/or injury to persons, including the following:

READ ALL INSTRUCTIONS

1. **UNPLUG FROM OUTLET WHEN NOT IN USE, BEFORE PUTTING ON OR TAKING OFF PARTS AND BEFORE CLEANING. ALLOW TO COOL BEFORE CLEANING OR HANDLING.**
2. To protect against risk of electrical shock, do not put appliance in water or other liquids.
3. Avoid contact with glass door during cooking process. It may be very hot.
4. This appliance is not intended for use by persons (including children) with reduced physical, sensory or mental capabilities, or lack of experience and knowledge, unless they have been given supervision or instruction concerning use of the appliance by a person responsible for their safety.
5. Children should be supervised to ensure that they do not play with the appliance.
6. Avoid coming into contact with moving parts.
7. The oven must be kept at a distance of 4 inches or more away from other objects around it in order to avoid heat damage to adjacent items.
8. Do not operate any appliance with a damaged cord or plug, or after the appliance has malfunctioned or has been dropped or damaged in any way, or is not operating properly. Return the convection oven to the nearest authorized service facility for examination, repair, or mechanical or electrical adjustment.
9. Do not let the cord hang over the edge of the table or countertop where it could be pulled on inadvertently or touch hot surfaces, as this could damage the cord.
10. The use of attachments not recommended or sold by Waring may cause fire, electric shock, or injury.
11. Do not use outdoors.
12. Do not place convection oven on or near a hot gas or electric burner or in a heated oven.

13. Do not use this convection oven for anything other than its intended purpose.
14. To disconnect, turn any control to OFF, then remove plug from wall outlet.
15. Extreme caution should be exercised when using containers constructed of the following materials in the oven: paper, cardboard, plastic or similar products.
16. To avoid burns, use extreme caution when removing tray or disposing of hot grease.
17. Do not cover baking tray or any part of the oven with metal foil. This will cause overheating of the oven. Covering the baking sheet with foil is okay. Covering the wire racks with foil is not recommended, as this will block airflow and create uneven cooking temperatures.
18. Oversize foods, metal foil packages and utensils must not be inserted in the oven/broiler as they may involve a risk of fire or electric shock.
19. A fire may occur if the convection oven is covered or touching flammable material when in operation.
20. Do not store any items on top of the appliance when in operation.
21. Do not clean with metal scouring pads. Pieces can break off the pad and touch electrical parts, involving a risk of electric shock.
22. Do not attempt to dislodge food when the convection oven is plugged into electrical outlet.
23. **Warning:** To avoid possibility of fire, NEVER leave oven broiler unattended during use.
24. Use recommended temperature settings for baking and roasting.
25. The appliance is off when the Timer control is in the OFF position.
26. Do not rest cooking utensils or baking dishes on glass door.
27. Do not operate your appliance in an appliance garage or under a wall cabinet. **When storing in an appliance garage, always unplug the unit from the electrical outlet.** Not doing so could create a risk of fire, especially if the appliance touches the walls of the garage or the door touches the unit as it closes.

SAVE THESE INSTRUCTIONS

APPROVED FOR COMMERCIAL USE

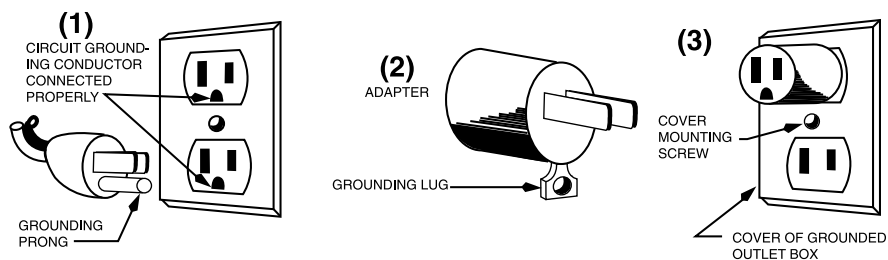
CONTENTS

Important Safeguards	2
Grounding Instructions.....	5
Extension Cords.....	5
Introduction	6
Parts and Accessories	6
Before Using Your Oven.....	9
Function Guidelines.....	9
Bake	9
Convection Bake	10
Roast	11
Broil	11
Oven Rack Position Diagram	12
Bakeware Reference Guide.....	12
Tips and Hints	13
Use and Care	13
Installing and Replacing Oven Light.....	14
Safety Features	15

GROUNDING INSTRUCTIONS

This appliance must be grounded while in use to protect the operator from electrical shock. The appliance is equipped with a 3-conductor cord and 3-prong grounding-type plug to fit the proper grounding-type receptacle. The appliance has a plug that looks like the plug in drawing (1). An adapter, as in drawing (2), should be used for connecting the appliance plug to two-prong receptacles. The grounding tab, which extends from the adapter, must be connected to a permanent ground such as a properly grounded outlet box as shown in drawing (3) using a metal screw.

NOTE: The use of an adapter is not authorized in Canada.



EXTENSION CORDS

Use only 3-wire extension cords that have 3-prong grounding-type plugs and 3-pole cord connectors that accept the plug from the appliance. Use only extension cords that are intended for indoor use. Use only extension cords having an electrical rating not less than the rating of the appliance. Do not use damaged extension cords. Examine extension cord before using and replace if damaged. Do not abuse extension cord and do not yank on any cord to disconnect. Keep cord away from heat and sharp edges.

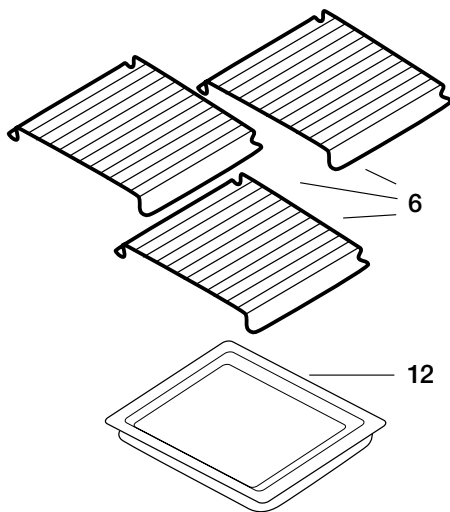
NOTE: This appliance is for 120 volts only and should not be used with a converter.

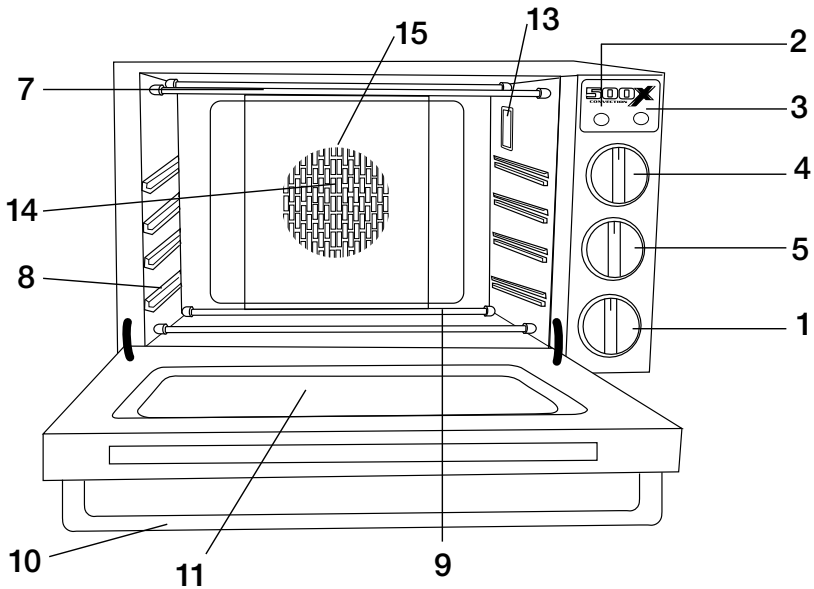
INTRODUCTION

The Waring® Commercial Convection Oven takes countertop cooking to a whole new level. Convection baking uses a rear heating element with fan to circulate heated air, maintaining the selected temperature throughout the oven cavity. This constant flow of air eliminates the hot and cold spots often found in conventional ovens. Because the temperature remains consistent when using convection bake, you can set oven approximately 25°F lower than a conventional oven, thus saving energy. Cooking time is also reduced by approximately 25 to 30 percent. Use your convection oven to roast meat or whole chickens, bake cakes, cookies and more. Safe and easy to use. Exceptionally quick to clean. It's a better way to cook!

PARTS AND ACCESSORIES (continues on page 7)

1. Timer
2. Power Indicator Light – Red
3. Oven Temperature “Ready” Indicator Light – Green
4. Function Control Knob
5. Temperature Control Knob
6. Wire Racks
7. Upper Heating Elements
8. Rack Support Guides
9. Lower Heating Elements
10. Door Handle
11. Double-Pane Tempered-Glass Door
12. Stainless Steel Baking Tray
13. Interior Light
14. Convection/Roast Fan
15. Rear Heating Element (not shown)





1. Timer

The range of the timer is 120 minutes. The timer setting is optional. You can set the timer either to the desired cooking time or to the OVEN ON position, which will turn the oven on. If the baking time is less than 20 minutes, first turn the timer clockwise past the 20-minute mark and turn it back to the desired time. If a longer time is required, turn the timer directly to the desired time.

2. Power Indicator Light – Red

- When the red power indicator light is on, the oven is in operation.
- When the timer is in the OFF position, the red indicator light will be off and the oven is in the OFF mode.

3. Oven Temperature “Ready” Indicator Light – Green

- When the green oven temperature "ready" indicator light is on, the oven has reached the indicated temperature.
- When broiling, "ready" indicator light will NOT be lit.
- The "ready" light will cycle on and off as the set temperature is maintained.

4. **Function Control Knob and General Function Guidelines**

This selector offers four choices of cooking options:

Bake

Indicates that upper and lower straight heating elements are operating. The fan is off. This mode is used for conventional baking.

Convection Bake

Indicates that the rear heating element as well as the convection fan are operating. ***This function is time-effective and efficient. It is perfect for baking most types of pastries, cookies, and for baking pizza, bread, soufflés, casseroles, as well as roasting poultry, pork and steaks.***

Roast

Indicates that the upper straight elements and lower heating elements as well as the convection fan are operating. ***This function is used for roasting chicken, pork and steaks.***

Broil

Indicates that all the upper heating elements are operating. ***Broil can be used for beef sirloin, hamburgers, chicken breasts, lamb chops, pork chops, fish fillets and steaks.***

5. **Temperature Control Knob**

This thermostatic switch controls the temperature inside the oven; it maintains the proper temperature during the various cooking operations.

6. **Wire Racks**

The wire racks are made of chrome-plated steel. The racks support food during broiling, roasting and baking.

7. **Upper Heating Elements**

There are two straight and one U-shaped electric heating elements in the upper part of the oven.

8. **Rack Support Guides**

There are four different levels inside the oven for the wire racks and baking tray. Select the best position for the food relative to the heating elements. See diagram on page 12.

9. **Lower Heating Elements**

There are two straight electric heating elements in the lower part of the oven.

10. **Door Handle**

Use this handle to avoid getting burned by the hot oven door.

11. **Double-Pane Tempered-Glass Door**

Be sure the safety door is closed tightly while preheating, baking or roasting. To avoid getting burned, don't touch the door when the oven is in use. Wait until the oven cools before cleaning the door with a damp cloth.

12. **Stainless Steel Baking Tray**

Can be used for baking or as a drip tray.

13. **Interior Light**

Lights up when timer is not in the OFF position. Allows for a better view of the cooking process.

14. **Convection/Roast Fan**

Utilizes a heating element and fan to circulate hot air which helps with even cooking and quicker results.

15. **Rear Heating Element**

The rear heating element is behind the rear panel.

BEFORE USING YOUR OVEN

Before using your oven for the first time, be sure to:

- Wash the wire racks and baking tray with soapy water, rinse with clear water and dry. These parts should be cleaned and thoroughly dried by hand only.
- Use a damp cloth to lightly wipe the inner walls of the oven. Use a small amount of detergent, but don't use a spray or abrasive polishing agent. Do not touch the electric heating tubes and do not soak the inside of the oven with water.
- Place the wire racks and baking tray inside the oven.
- Preheat the oven. First close the oven door and then preheat the oven at the highest temperature for a minimum of 5 minutes. The oven may emit an odor. This is normal and should dissipate. **Note: This odor is not harmful.**
- Turn off the oven and allow to cool. Remove any smoke residue inside the oven with a damp cloth.
- Do not block the exhaust vents.

FUNCTION GUIDELINES

IMPORTANT: When using smaller baking trays, use only the wire racks for support.

Bake

Your convection oven is equipped with three wire racks and has

four rack positions (see diagram, page 12). The racks can be easily removed and arranged at various levels. For best results when using the oven for conventional baking, do not use more than one rack at a time.

- Set wire rack to desired position.
- Set the Function knob to Bake.
- Set the Temperature knob as specified in your recipe.
- Set the Timer, if desired, for up to 120 minutes. If the baking time is less than 20 minutes, first turn the timer past the 20-minute mark and turn it back to the desired time. If a longer baking time is required, turn the timer directly to the desired time.
- If not using the timer, set timer to OVEN ON position.
- Always use a potholder or oven mitt when removing hot food from the oven.

Convection Bake

The general rule for using most regular baking recipes with a convection oven is to reduce the suggested temperature given in the recipe by 25°F. For roasting larger items such as meats or roasts, use the same temperature as indicated, but the cooking time may be reduced.

In any case, always check your baked items 10 minutes before cooking time indicates. For larger roasted items such as meats, start checking 20 to 40 minutes before the set cooking time is reached.

With convection baking, the key is the airflow. Avoid using baking dishes with high sides. For example, even when baking cookies, try to use a cookie sheet with no sides. For roasting meats use shallow baking trays as opposed to large, high-sided roasting pans. For the same reason, you'll want to avoid cooking anything with a lid when you use the convection feature, as the lid blocks the airflow.

- Set wire rack to desired position.
- Set the Function knob to Convection Bake.
- Set the Temperature knob to the desired level.
- Set the Timer, if desired. If the baking time is less than 20 minutes, first turn the timer clockwise past the 20-minute mark and turn it back to the desired time.

If a longer baking time is required, turn the timer directly to the desired time. If not using the timer, set timer to OVEN ON position.

- If required to catch drips, place the baking tray one level below the wire rack. The tray and the rack should be set at different levels for satisfactory air convection.
- When you are using the baking tray, in particular in position 1 (bottom rack position), make sure the tray is centered so that you have an air passageway in the back as well as the front of the oven.
- Always use potholders or oven mitts when removing hot food from the oven.

Roast

- Set wire rack to desired position.
- Set the Function knob to Roast.
- Set the temperature to the desired level.
- Set the time, if desired.
- Set the Timer, if desired. If the roasting time is less than 20 minutes, first turn the timer clockwise past the 20-minute mark and turn it back to the desired time.

If a longer baking time is required, turn the timer directly to the desired time. If not using the timer, set timer to OVEN ON position.

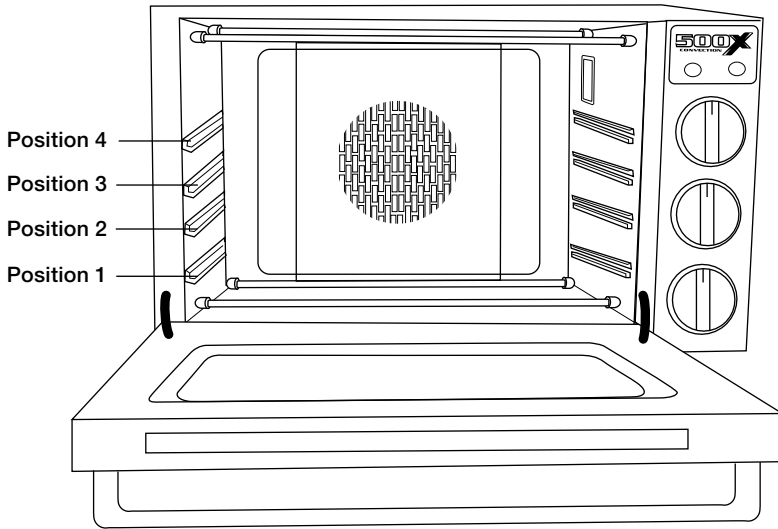
- If required to catch drips, place the baking tray one level below the wire rack. The tray and the rack should be set at different levels for satisfactory air convection.
- Always use potholders or oven mitts when removing hot food from the oven.

Broil

- Set rack to position #4 or desired position (see page 12).
- Set the Function knob to Broil.
- Set the timer, if desired. If the broiling time is less than 20 minutes, first turn the timer clockwise past the 20-minute mark and turn it back to the desired time. If a longer broiling time is required, turn the timer directly to the desired time.
- Keep door ajar.

OVEN RACK POSITIONS

The diagram below illustrates the four rack positions for this convection oven.



BAKEWARE REFERENCE GUIDE

The following bakeware is suitable for the 1.5 cubic foot oven when using one rack (dimensions given in inches):

- | | |
|--------------|------------------------------|
| 13 x 9 | Rectangle |
| 12 x 7½ | Rectangle |
| 11 x 7 | Rectangle |
| 9 x 13 x 2 | 6 Muffin |
| 9 x 13 | 12 Muffin, Traditional |
| 8 x 8 x 2 | Cake, Traditional |
| 10 x 5 x 3½ | 1½ lb. Loaf Pan, Traditional |
| 8½ x 4½ x 2¾ | 1 lb. Loaf, Nonstick |
| 8 x 2 | Round Cake, Nonstick |
| 9 x 2 | Round Cake, Traditional |
| 10 x 2 | Pie Plate, Nonstick |
| 9½ | Tart Pan |
| 12-cup | Bundt Pan |
| 18 x 13 x 1 | Half-Sheet Pan |

TIPS AND HINTS

- It is important to rotate any item you are baking in the oven to ensure even cooking.
- It is recommended to bake using one rack at a time. If you do bake with more than one rack, be sure to rotate both the baking trays and their rack positions halfway through bake time.
- To ensure even flow of air when using baking tray or other utensils, do not slide tray to the back of oven. Leave about 1 to 2 inches of air space around all sides of each pan for even air circulation.
- Make sure the wire racks are in the desired position before you turn on the oven.
- Bake on the shortest time suggested and check for doneness before adding more time.

USE AND CARE

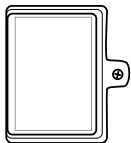
Always allow the oven to cool completely before cleaning.

1. **Always unplug the oven from the electrical outlet before cleaning.**
2. After the oven cools, use a damp cloth or sponge to clean interior and exterior surfaces.
3. Do not soak the inside of the oven or wash it in running water, as this will cause serious damage to the appliance.
4. Do not use any sharp or hard kitchen utensils on the oven, as this could damage the surface of the appliance.
5. The wire racks and baking tray should be hand washed only.
6. To clean the glass door, use a glass cleaner or a damp cloth. Wipe dry with a clean cloth.
7. If the oven has not been used for an extended period of time, be sure to remove dust and moisture before operating.
8. If there is something wrong with this product, please contact an authorized Waring Service Center for repair, or phone Waring Customer Service at 1-800-492-7464.
9. Should the oven light located in upper back right-hand side of the oven become loose during shipping, please follow the steps to affix or replace light bulb:

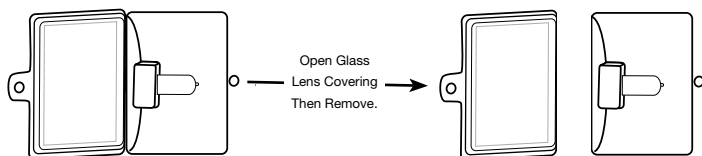
INSTALLING & REPLACING THE OVEN LIGHT

In the top right hand corner of your oven is a halogen light bulb, which offers a longer lifespan than standard light bulbs and is able to withstand high temperatures. Purchase a new 120V 25 watt G9 halogen light bulb at your local hardware store and insert it as follows:

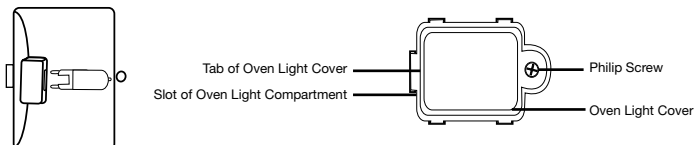
1. Be sure that the oven is unplugged and completely cooled.
2. Remove the screw from the cover with a Phillips head screw driver.



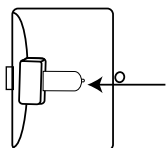
3. Remove the cover.



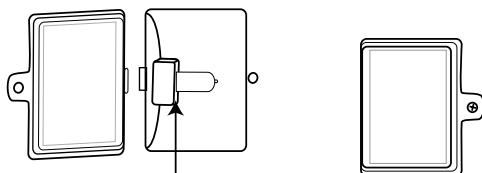
4. Remove the old light bulb by pulling it out of the socket base (toward the front of the oven).



5. Follow the guidelines on the light bulb instructions, **without touching the light bulb with your bare hand** (as this will reduce the lifespan). You can use a clean tissue or cloth glove to hold the bulb. Install the new bulb in the socket base by gently pushing it into place.



6. Replace the cover and secure it tight with a Phillips head screw driver.



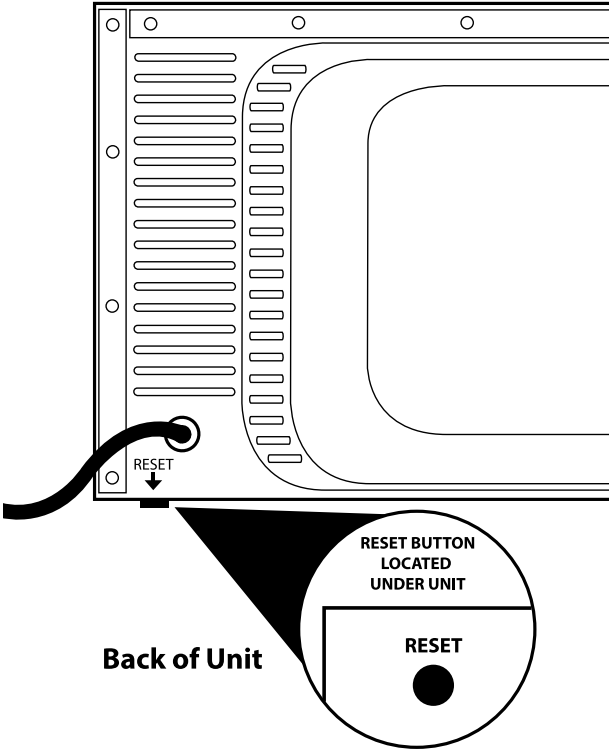
Any other servicing should be performed by an authorized service representative.

SAFETY FEATURES

The Waring® Commercial Convection Oven is equipped with the following feature to ensure safety:

Thermostat Overload Protection

If the unit heats up beyond the recommended temperature level, the oven will automatically turn off. To reset, unplug the unit from the wall outlet and allow it to cool down. Once the unit has returned to a safe operating temperature, you can now reset the oven by locating the reset button on the right side of the rear panel (see illustration). Using a toothpick or another long, thin object, push the reset button in. Plug the unit back in, turn on and continue use. If the unit still does not operate, repeat steps above or call a Waring Certified Customer Service Center for assistance.



MEDIDAS DE SEGURIDAD IMPORTANTES

Siempre que use aparatos eléctricos, debe tomar precauciones básicas de seguridad para reducir el riesgo de incendio, electrocución o heridas, entre las cuales las siguientes:

LEA TODAS LAS INSTRUCCIONES

1. **DESCONECTE EL APARATO CUANDO NO ESTÉ EN USO, ANTES DE INSTALAR/REMOVER PIEZAS Y ANTES DE LIMPIARLO. PERMITA QUE EL APARATO ENFRÍE ANTES DE LIMPIARLO O MANIPULARLO.**
2. Para reducir el riesgo de electrocución, no coloque el aparato en agua u otro líquido.
3. Evite tocar la puerta de vidrio durante el funcionamiento. Puede estar muy caliente.
4. Los niños o las personas que carezcan de la experiencia o de los conocimientos necesarios para manipular el aparato, o aquellas cuyas capacidades físicas, sensoriales o mentales estén limitadas, no deben utilizar el aparato sin la supervisión o la dirección de una persona responsable por su seguridad.
5. Asegúrese de que los niños no jueguen con este aparato.
6. Evite el contacto con las piezas móviles.
7. Deje un espacio 10 cm o más encima y alrededor del aparato para evitar daños a los objetos que se encuentran en sus alrededores.
8. No utilice este aparato si el cable o la clavija estuviesen dañados, después de que hubiese funcionado mal o que se hubiese caído o si estuviese dañado. Regrese el aparato a un centro de servicio autorizado para su revisión, reparación o ajuste.
9. No permita que el cable cuelgue del borde de la encimera o de la mesa, donde niños o animales lo puedan jalar o tropezar, ni que haga contacto con superficies calientes.
10. El uso de accesorios no recomendados o vendidos por Waring presenta un riesgo de incendio, electrocución o herida.
11. No lo utilice en exteriores.
12. No coloque el aparato sobre o cerca de un quemador a gas o una hornilla eléctrica caliente, ni en un horno caliente.

13. No utilice el aparato para ningún otro fin que no sea el indicado.
14. Siempre apague el aparato (OFF) antes de desconectarlo.
15. Tenga mucho cuidado al poner en el horno envases de papel, cartón, plástico o materiales semejantes.
16. Tenga mucho cuidado al sacar la bandeja del horno o eliminar la grasa caliente.
17. No cubra la bandeja ni cualquier parte del horno con papel de aluminio. Esto puede provocar un sobrecalentamiento. Si desea, puede cubrir las placas para horno. No se aconseja cubrir las rejillas con papel de aluminio. Esto impide la libre circulación del aire adentro del horno y produce temperaturas disparejas.
18. No meta alimentos muy grandes, bandejas de aluminio ni utensilios de metal al horno. Esto podría provocar un incendio o una descarga eléctrica.
19. Podría ocurrir un incendio si el horno estuviese cubierto o tocase materiales inflamables.
20. No guarde ningún artículo sobre el aparato durante el funcionamiento.
21. No use estropajos metálicos para limpiar el aparato. Partículas de metal podrían depositarse sobre sus componentes eléctricos, presentando un riesgo de electrocución.
22. No intente desalojar alimentos atascados mientras el aparato esté conectado.
23. **Advertencia:** A fin de prevenir los riesgos de incendio, NUNCA deje el aparato desatendido mientras esté funcionando.
24. Utilice las temperaturas recomendadas para hornear y asar.
25. Para apagar el aparato, ponga el temporizador en la posición "OFF".
26. No apoye utensilios de cocina o fuentes contra la puerta de vidrio.
27. No haga funcionar el aparato bajo o adentro de un armario. **Siempre desconecte el aparato antes de guardarlo en un armario.** Dejar el aparato conectado presenta un riesgo de incendio, especialmente si éste toca las paredes o la puerta del armario.

GUARDE ESTAS INSTRUCCIONES

APROBADO PARA USO COMERCIAL

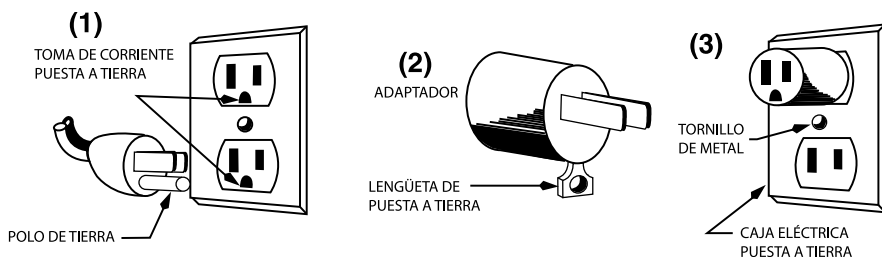
ÍNDICE

Medidas de seguridad importantes	16
Instrucciones de puesta a tierra.....	19
Uso de extensiones.....	19
Introducción	20
Piezas y características.....	20
Antes de usar el horno por primera vez	23
Funcionamiento.....	23
Función "Horneado tradicional"	23
Función "Horneado por convección"	24
Función "Asado"	25
Función "Gratinado"	25
Posiciones de las rejillas	26
Capacidades del horno	26
Consejos útiles.....	27
Limpieza y mantenimiento.....	27
Reemplazo de la bombilla.....	28
Mecanismos de seguridad.....	29

INSTRUCCIONES DE PUESTA A TIERRA

Para su protección, este aparato está equipado con un cable/ enchufe con puesta a tierra, el cual debe ser conectado a una toma de corriente debidamente puesta a tierra (Fig. 1). Si una toma de corriente puesta a tierra no está disponible, se podrá usar un adaptador para conectar el aparato a una toma de corriente polarizada (Fig. 2). El adaptador debe ser puesto a tierra mediante un tornillo de metal que conecte la lengüeta del mismo a la caja eléctrica (Fig. 3).

NOTA: Está prohibido usar un adaptador en el Canadá.



USO DE EXTENSIONES

Solamente use extensiones con puesta a tierra. Solamente utilice extensiones para uso en interiores. La clasificación nominal de la extensión debe ser por lo menos igual a la del aparato. No utilice extensiones dañadas. Examine la extensión antes de usarla y reemplácela si está dañada. No jale el cable para desconectar la extensión; agárrela por la clavija. Mantenga el cable alejado de las fuentes de calor y de los objetos cortantes.

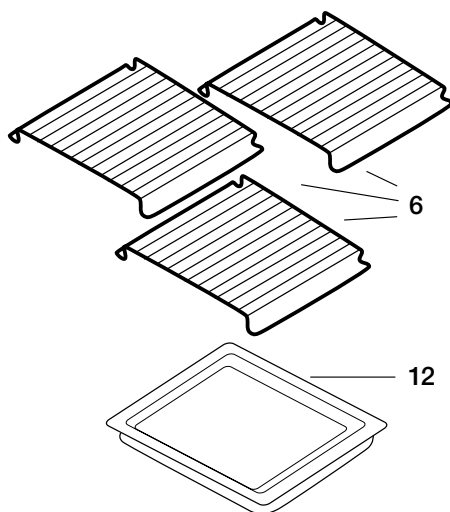
NOTA: Enchufe el cable en una toma de corriente de 120V solamente. No utilice el aparato con un convertidor de voltaje.

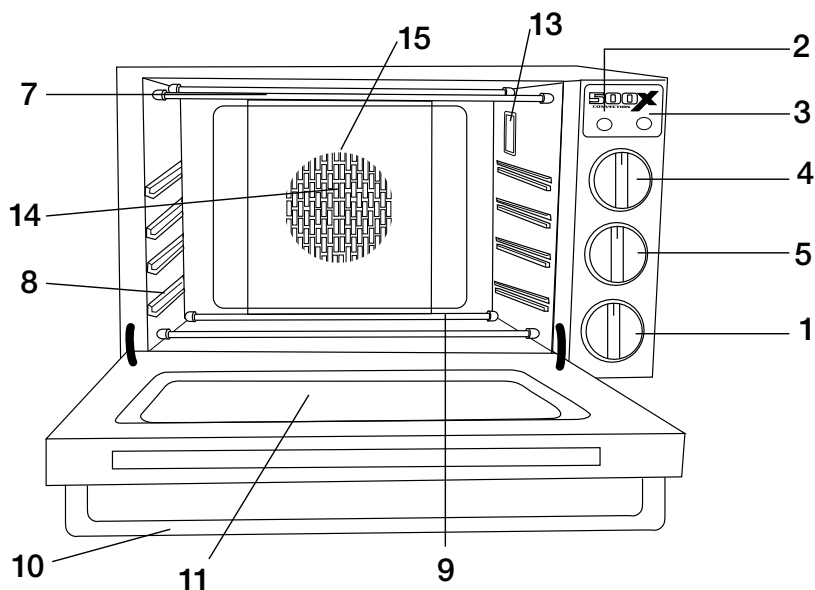
INTRODUCCIÓN

El horno de convección Waring® Commercial toma la cocción sobre la encimera a un nivel completamente nuevo. La cocción por convección utiliza un elemento calefactor trasero junto con un ventilador que hace circular el aire caliente adentro del horno para mantener la temperatura constante. Este flujo de aire constante elimina las subidas/bajadas de temperatura comunes con los hornos tradicionales. La cocción por convección permite usar temperaturas de cocción 25 °F (10 °C) más bajas que los hornos tradicionales y reduce el tiempo de cocción en un 25–30%, ahorrando energía. Utilice su nuevo horno de convección para asar carne o pollos enteros y hacer pasteles, galletas y mucho más de manera rápida, segura y fácil. Es muy fácil de limpiar. ¡Es una mejor forma de cocinar!

PIEZAS Y ACCESORIOS (continúa en las páginas 21–23)

1. Temporizador
2. Luz de encendido (roja)
3. Luz de listo (verde)
4. Selector de función
5. Control de temperatura
6. Rejillas
7. Elementos calefactores superiores
8. Guías de las rejillas
9. Elementos calefactores inferiores
10. Asa termoresistente
11. Puerta de vidrio templado
12. Bandeja de acero inoxidable
13. Luz interior
14. Ventilador
15. Elemento calefactor trasero (no ilustrado)





1. Temporizador

Permite programar el tiempo de cocción hasta 120 minutos o encender el horno sin temporizador (posición OVEN ON). Si el tiempo deseado es menos de 20 minutos, gire el temporizador hasta después de la marca "20" y luego póngalo en la posición deseada. Si el tiempo deseado es más de 20 minutos, simplemente gire el temporizador hasta la cifra marca deseada.

2. Luz de encendido (roja)

- Se enciende al encender el aparato.
- Se apaga al apagar el aparato.

3. Luz de listo (verde)

- Se enciende cuando el horno alcanza la temperatura seleccionada.
- No funciona con la función "Gratinado"
- Se apaga y se vuelve a encender varias veces durante la cocción a medida que el horno regula la temperatura interna.

4. Selector de función

Permite elegir entre cuatro funciones:

Horneado tradicional (BAKE)

Utiliza los elementos calefactores superiores e inferiores. El ventilador está apagado. Utilice este modo de cocción para el horneado sin convección.

Horneado por convección (CONV BAKE)

Utiliza el elemento calefactor trasero y el ventilador. ***Este modo de cocción es eficaz y rápido. Es perfecto para preparar pasteles, panes, pizzas, soufflés, cazuelas o asar pollo, cerdo y carne.***

Asado (ROAST)

Utiliza los elementos calefactores superiores e inferiores así como el ventilador. ***Ideal para asar pollo, cerdo y carne.***

Gratinado

Utiliza los elementos calefactores superiores. ***Este modo de cocción es perfecto para asar bistec de aguayón, hamburguesas, chuletas de ternera o puerco, pescado o bistec.***

5. Control de temperatura

Controla la temperatura adentro del horno, manteniendo la temperatura constante durante la cocción.

6. Rejillas

Rejillas de acero cromado. Acomodan las fuentes/bandejas.

7. Elementos calefactores superiores

Dos elementos rectos y un elemento en forma de "U".

8. Guías de las rejillas

Permiten posicionar las rejillas en cuatro niveles diferentes. Elija la posición deseada, según la altura de las fuentes/el grosor de los alimentos. Véase el diagrama en la página 12.

9. Elementos calefactores inferiores

Dos elementos rectos.

10. Asa termoresistente

Aislante, para no quemarse.

11. Puerta de vidrio templado

Asegúrese de que la puerta esté cerrada al precalentar el horno, hornear y asar por convección. No toque la puerta durante el funcionamiento. Permita que el aparato enfríe antes

de limpiar la puerta. Limpie la puerta con un paño ligeramente húmedo.

12. Bandeja de acero inoxidable

Puede usarse como bandeja o bandeja de goteo.

13. Luz interior

Se enciende durante el funcionamiento. Permite vigilar la cocción.

14. Ventilador

Hace circular el aire para lograr resultados uniformes y más rápidos.

15. Elemento calefactor trasero

Situado atrás del panel trasero del horno.

ANTES DE USAR EL HORNO POR PRIMERA VEZ

Antes del primer uso:

- Lave las rejillas y la bandeja en agua jabonosa tibia. Enjuáguelas y séquelas antes de usarlos. Lave y seque estas piezas a mano solamente.
- Limpie la superficie interior del horno con un paño humedecido. Si desea, puede utilizar un poco de detergente, pero no utilice productos abrasivos. No toque los elementos calefactores. No moje mucho el interior del horno.
- Ponga las rejillas adentro del horno.
- Precaliente el horno en la temperatura máxima durante 5 minutos o más. Puede que un ligero olor a quemado emane del horno. Esto es normal. Este olor se disipará rápidamente.
Nota: Este olor no es peligroso.
- Apague el horno y permita que enfríe. Limpie la superficie interior del horno con un paño humedecido otra vez.
- Asegúrese de que las ventilaciones no estén obstruidas.

FUNCIONAMIENTO

IMPORTANTE: Siempre coloque las bandejas pequeñas sobre las rejillas.

Horneado tradicional (BAKE)

Su horno de convección cuenta con tres rejillas que pueden posicionarse de cuatro maneras diferentes (véase el diagrama en la página 12). Se aconseja no usar más de una rejilla a la vez.

- Ponga la rejilla en la posición deseada.
- Ponga el selector de función en BAKE.
- Elija la temperatura deseada.
- Si desea utilizar el temporizador, programe el tiempo de cocción (hasta 120 minutos). Si el tiempo deseado es menos de 20 minutos, gire el temporizador hasta después de la marca "20" y luego póngalo en la posición deseada. Si el tiempo deseado es más de 20 minutos, simplemente gire el temporizador hasta la cifra marca deseada.
- Si no desea usar el temporizador, ponga la perilla en la posición OVEN ON.
- Siempre utilice agarraderas, manoplas o guantes para el horno para retirar los alimentos calientes del horno.

Horneado por convección (CONV. BAKE)

Para preparar pasteles y galletas utilizando la función "Horneado por convección", utilice una temperatura 25 °F (5 °C) más baja que la temperatura indicada en la receta. Para preparar carne, utilice la misma temperatura, pero hornee la carne durante menos tiempo.

Averigüe si los pasteles están listos 10 minutos antes del tiempo indicado en la receta y las presas de carne/ave grandes 20–40 minutos antes del tiempo recomendado.

Para que la cocción por convección sea eficaz, es muy importante que el aire circule libremente adentro del horno. Por lo tanto, le recomendamos que utilice bandejas poco profundas. Por ejemplo, utilice placas para hornear galletas. Para hornear carne, utilice bandejas bajas. No tape los alimentos.

- Ponga la rejilla en la posición deseada.
- Ponga el selector de función en CONV BAKE.
- Elija la temperatura deseada.
- Si desea utilizar el temporizador, programe el tiempo de cocción (hasta 120 minutos). Si el tiempo deseado es menos de 20 minutos, gire el temporizador hasta después de la marca "20" y luego póngalo en la posición deseada.
Si el tiempo deseado es más de 20 minutos, simplemente gire el temporizador hasta la cifra marca deseada.
- Si no desea usar el temporizador, ponga la perilla en la posición OVEN ON.

- Si desea hornear carne directamente sobre la rejilla, coloque la bandeja sobre la rejilla inferior para recoger la grasa.
- Cuando usa la rejilla en la posición no. 1, coloque la bandeja o el molde en el centro de la rejilla, para que el aire circule libremente alrededor.
- Siempre utilice agarraderas, manoplas o guantes para el horno para retirar los alimentos calientes del horno.

Asado (ROAST)

- Ponga la rejilla en la posición deseada.
- Ponga el selector de función en ROAST.
- Elija la temperatura deseada.
- Si desea utilizar el temporizador, programe el tiempo de cocción (hasta 120 minutos).
- Si desea utilizar el temporizador, programe el tiempo de cocción (hasta 120 minutos). Si el tiempo deseado es menos de 20 minutos, gire el temporizador hasta después de la marca "20" y luego póngalo en la posición deseada.

Si el tiempo deseado es más de 20 minutos, simplemente gire el temporizador hasta la cifra marca deseada.

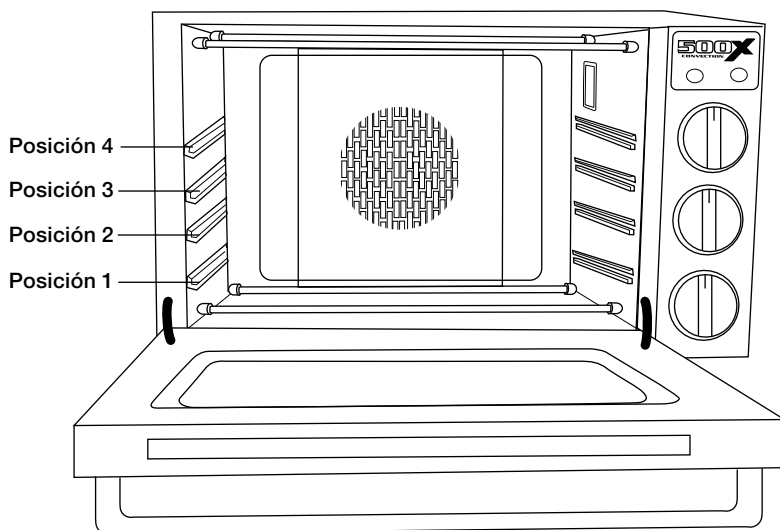
- Si no desea usar el temporizador, ponga la perilla en la posición OVEN ON.
- Si desea hornear carne directamente sobre la rejilla, coloque la bandeja sobre la rejilla inferior para recoger la grasa.
- Siempre utilice agarraderas, manoplas o guantes para el horno para retirar los alimentos calientes del horno.

Gratinado (BROIL)

- Ponga la rejilla en la posición no. 4, o en la posición deseada (véase el diagrama en la página 12).
- Ponga el selector de función en BROIL.
- Si desea utilizar el temporizador, programe el tiempo de cocción (hasta 120 minutos). Si el tiempo deseado es menos de 20 minutos, gire el temporizador hasta después de la marca "20" y luego póngalo en la posición deseada. Si el tiempo deseado es más de 20 minutos, simplemente gire el temporizador hasta la cifra marca deseada.
- Mantenga la puerta ligeramente abierta durante la cocción.

POSICIONES DE LAS REJILLAS

Las rejillas pueden posicionarse de cuatro maneras diferentes, según se indica a continuación.



CAPACIDADES DEL HORNO

El horno tiene una capacidad de 1.5 pies cúbicos (42 L) y acomodará las fuentes siguientes:

- Fuente rectangular de 13 x 9 pulgadas (33 x 23 cm)
- Fuente rectangular de 12 x 7½ pulgadas (30.5 x 19 cm)
- Fuente rectangular de 11 x 7 pulgadas (28 x 18 cm)
- Dos moldes para 6 muffins de 9 x 13 pulgadas (23 x 33 cm)
- Molde para 12 muffins de 9 x 13 pulgadas (23 x 33 cm)
- Molde para pastel cuadrado de 8 x 8 x 2 pulgadas (20 x 20 x 5 cm)
- Molde de barra de 10 x 5 x 3½ pulgadas (25.5 x 13 x 9 cm)
- Molde de barra de 8½ x 4½ x 2¾ pulgadas (21.5 x 11.5 x 7 cm)
- Molde redondo de 8 pulgadas (20 cm) de diámetro
- Molde redondo de 9 pulgadas (23 cm) de diámetro
- Molde para tarta de 10 pulgadas (25.5 cm) de diámetro
- Molde para tarta de 9½ pulgada (24 cm) de diámetro
- Molde de rosca de 3 L
- Placa para horno de 18 x 13 pulgadas (46 x 33 cm)

CONSEJOS ÚTILES

- Gire la fuente varias veces durante la cocción para garantizar un cocido uniforme.
- Le aconsejamos que no utilice más de una rejilla a la vez. Si desea usar más de una rejilla, gire las fuentes y cámbielas de nivel durante la cocción.
- No empuje la fuente/placa hasta el fondo del horno y deje un espacio libre de 2.5–5 cm alrededor de cada fuente para permitir que el aire circule libremente.
- Ponga las rejillas en la posición deseada antes de encender el horno.
- Averigüe si los pasteles están listos al final del tiempo de cocción mínimo.

LIMPIEZA Y MANTENIMIENTO

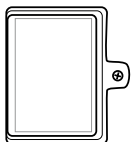
Permita que el aparato enfríe completamente antes de limpiarlo.

1. **Siempre desconecte el aparato antes de limpiarlo.**
2. Tras enfriarse, limpie el interior y el exterior del horno con una esponja o un paño humedecido.
3. No moje mucho la parte interior de horno. Esto podría provocar daños serios.
4. No utilice materiales abrasivos ni utensilios duros o cortantes. Esto podría dañar la superficie del horno.
5. Lave las rejillas y la bandeja a mano.
6. Limpie la puerta de vidrio con un paño humedecido con producto para limpiar el vidrio. Séquela con un paño limpio.
7. Si no ha usado el horno durante mucho tiempo, límpielo antes de usarlo.
8. En caso de problema, llame a nuestro servicio postventa al 1-800-492-7464.
9. Siga las instrucciones a continuación para apretar/cambiar la bombilla ubicada en el fondo del horno. Nota: la bombilla puede aflojarse durante el transporte.

INSTALACIÓN/REEMPLAZO DE LA BOMBILLA

El horno está equipado con una bombilla halógena que dura por más tiempo que las bombillas estándares y que soporta temperaturas muy altas. Para cambiar la bombilla, compre una bombilla de tipo G9 de 120V/25W y siga las instrucciones siguientes:

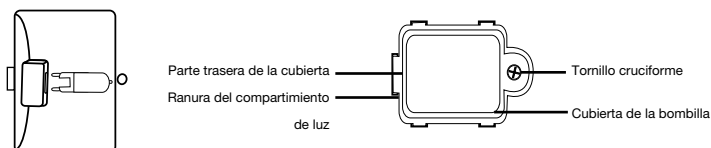
1. Asegúrese de que el horno esté desconectado y frío.
2. Desatornille el tornillo que sujeta la cubierta de la bombilla con un destornillador cruciforme.



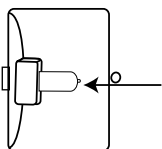
3. Retire la cubierta.



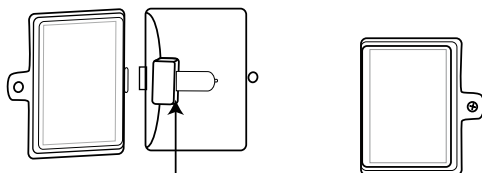
4. Jale la bombilla usada hacia la puerta del horno para retirarla.



5. Instale la nueva bombilla según las instrucciones, evitando todo contacto con la piel (esto reducirá su vida útil). Utilice un paño limpio o un guante para sostener la bombilla. Introduzca la bombilla en el receptáculo y presione suavemente para sujetar.



6. Sujete la cubierta de la bombilla, atornillando el tornillo con un destornillador cruciforme.



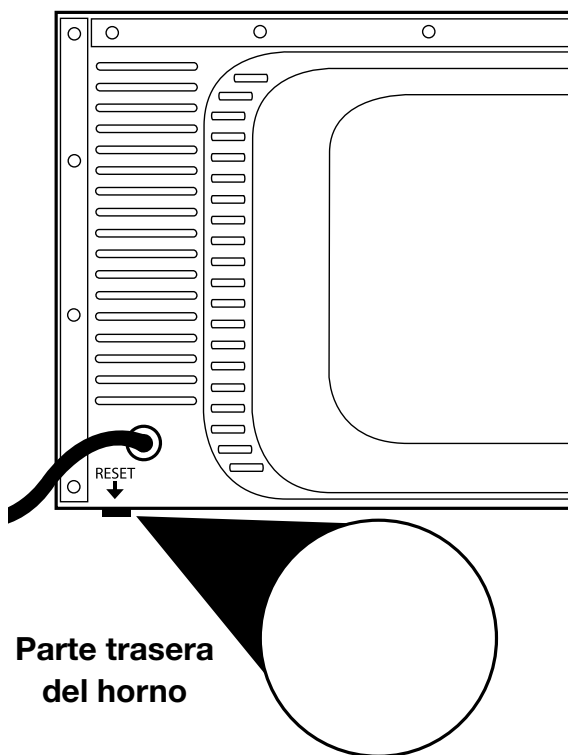
Cualquier otro servicio debe ser realizado por un técnico autorizado.

MECANISMOS DE SEGURIDAD

Para su tranquilidad, el horno de convección Waring® Commercial viene equipado con los mecanismos de seguridad siguientes:

Protección anti-sobrecalentamiento

Apaga automáticamente el aparato en caso de sobrecalentamiento. Si esto ocurriera, desenchufe el aparato y permita que enfíe. Cuando el aparato esté frío, ubique el botón de reinicio ubicado en la parte trasera (véase la ilustración). Oprima el botón de reinicio con un palillo u otro objeto largo y fino, y luego vuelva a conectar la unidad. Si el aparato no se pusiera en marcha después de reiniciarla, comuníquese con un centro de servicio autorizado.



IMPORTANTES CONSIGNES DE SÉCURITÉ

L'utilisation d'appareils électriques requiert la prise de précautions élémentaires afin de réduire le risque de brûlures, d'électrocution, d'incendie ou de blessures, parmi lesquelles les suivantes :

LIRE TOUTES LES INSTRUCTIONS

1. **DÉBRANCHER L'APPAREIL APRÈS USAGE, AVANT D'INSTALLER/DE RETIRER DES PIÈCES ET AVANT DE LE NETTOYER. LAISSER L'APPAREIL REFROIDIR AVANT TOUTE MANIPULATION OU ENTRETIEN.**
2. Afin de prévenir tout risque de choc électrique, ne jamais placer l'appareil dans l'eau ou tout autre liquide.
3. Éviter de toucher la porte en verre pendant le fonctionnement. Il se peut qu'elle soit très chaude.
4. Cet appareil ne devrait pas être utilisé par des enfants ou des personnes souffrant d'un handicap physique, mental ou sensoriel, ou qui ne disposent pas des connaissances ou de l'expérience nécessaires, à moins qu'une personne responsable de leur sécurité leur en ait expliqué le fonctionnement ou les encadre.
5. Veiller à ce que les enfants ne jouent pas avec l'appareil.
6. Éviter tout contact avec les éléments en mouvement.
7. Afin de ne pas endommager les objets à proximité du four, laisser un espace d'au moins 10 cm au-dessus et sur les côtés de l'appareil.
8. Ne pas utiliser l'appareil si le cordon d'alimentation ou la fiche sont endommagés, s'il ne fonctionne pas correctement, s'il est tombé ou s'il est abîmé. Envoyer l'appareil à un service après-vente autorisé afin qu'il soit inspecté, réparé ou réglé au besoin.
9. Ne pas laisser le cordon pendre du comptoir ou de la table. Un enfant pourrait le tirer ou trébucher dessus par inadvertance. Ne pas laisser le cordon entrer en contact avec des surfaces chaudes.
10. L'utilisation d'accessoires non recommandés ou vendus par Waring peut présenter un risque d'incendie, d'électrocution ou de blessure.
11. Ne pas utiliser l'appareil à l'air libre.

12. Ne pas mettre l'appareil sur ou à proximité d'une plaque à gaz ou électrique, ni dans un four chaud.
13. Ne pas utiliser cet appareil à des fins autres que celles pour lesquelles il a été conçu.
14. Toujours éteindre l'appareil (OFF) avant de le débrancher.
15. Faire preuve d'une extrême prudence lorsque vous mettez au four des contenants en papier, carton, matières plastiques ou matériaux similaires.
16. Faire preuve d'une extrême prudence lorsque vous sortez le plat de cuisson du four ou jetez la graisse chaude.
17. Ne pas couvrir le plat de cuisson ni aucune des surfaces internes du four avec du papier d'aluminium. Cela provoquerait une surchauffe. Les plaques/tôles à pâtisserie peuvent être couvertes. Il est déconseillé de couvrir les grilles avec du papier d'aluminium ; cela empêche l'air de circuler librement à l'intérieur du four et produit des températures irrégulières.
18. Afin d'éviter les risques d'incendie ou d'électrocution, ne pas introduire de grands aliments, de contenants en aluminium ou d'ustensiles en métal dans le four.
19. Ne pas recouvrir l'appareil et ne pas le placer à proximité de matériaux inflammable. Cela pourrait provoquer un incendie.
20. Ne rien poser sur le dessus de l'appareil pendant le fonctionnement.
21. Ne pas nettoyer l'appareil avec des tampons métalliques. Des particules de métal peuvent se détacher du tampon et toucher les composants électriques de l'appareil, présentant un risque d'électrocution.
22. Débrancher l'appareil avant de déloger de la nourriture coincée à l'intérieur.
23. **Avertissement** : Ne JAMAIS laisser l'appareil sans surveillance pendant l'utilisation.
24. Respecter les températures de cuisson conseillées.
25. Pour éteindre l'appareil, mettre le bouton de réglage du temps de cuisson sur "OFF".
26. Ne pas laisser reposer d'ustensiles de cuisine ou de plats contre la porte en verre.
27. Ne pas faire fonctionner l'appareil sous ou dans un placard.
Veiller à débrancher l'appareil avant de le ranger. Laisser l'appareil branché pourrait présenter un risque d'incendie, surtout si l'appareil touche les murs du placard ou que la porte du placard touche l'appareil.

GARDER CES INSTRUCTIONS

USAGE COMMERCIAL AUTORISÉ

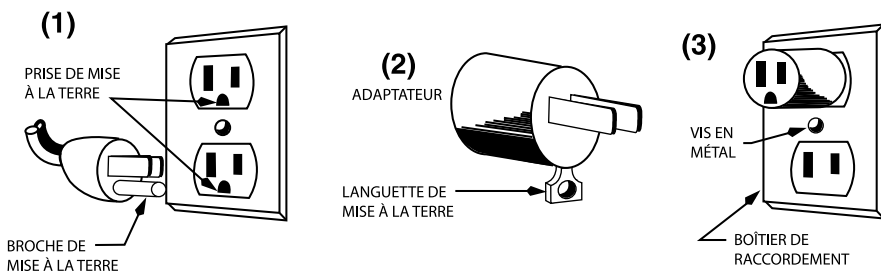
CONTENU

Importantes consignes de sécurité.....	30
Instructions de mise à la terre.....	33
Utilisation de rallonges électriques.....	33
Introduction.....	34
Pièces et caractéristiques.....	34
Avant d'utiliser le four pour la première fois.....	37
Fonctionnement.....	37
Mode "Cuisson traditionnelle".....	37
Mode "Cuisson par convection".....	38
Mode "Rôtisserie par convection".....	39
Mode "Grill".....	39
Positions des grilles.....	40
Capacités du four.....	40
Conseils utiles.....	41
Nettoyage et entretien.....	41
Remplacement de l'ampoule d'éclairage.....	42
Dispositifs de sécurité.....	43

INSTRUCTIONS DE MISE À LA TERRE

Pour votre protection, cet appareil est équipé d'une fiche à trois broches. Cette fiche doit être branchée dans une prise de terre correctement configurée. Voir illustration ci-contre (Fig. 1). Un adaptateur temporaire (Fig. 2) peut être utilisé pour brancher l'appareil dans une prise polarisée jusqu'à ce que vous fassiez installer une prise de terre adéquate par un électricien. La languette de l'adaptateur doit être mise à la terre, en la fixant à un boîtier de raccordement (Fig. 3) à l'aide d'une vis en métal.

REMARQUE : L'utilisation d'un adaptateur comme celui mentionné ci-dessus est interdite au Canada.



UTILISATION DE RALLONGES ÉLECTRIQUES

S'il est absolument nécessaire d'utiliser une rallonge électrique, utiliser une rallonge munie d'une fiche tripolaire de mise à la terre compatible avec la prise de terre du cordon. Utiliser une rallonge d'intérieur uniquement. Veiller à ce que la tension nominale de la rallonge soit égale ou supérieure à celle de l'appareil. Ne pas utiliser une rallonge si elle est abîmée. Vérifier l'état de la rallonge avant de l'utiliser. La remplacer en cas de dommage. Ne pas tirer la rallonge ou le cordon pour les débrancher. Maintenir la rallonge éloignée des surfaces chaudes ou coupantes.

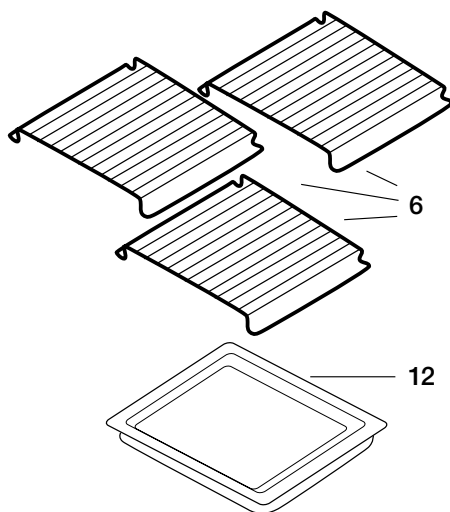
REMARQUE : Utiliser cet appareil sur courant de 120V uniquement. Ne pas utiliser cet appareil avec un convertisseur de tension.

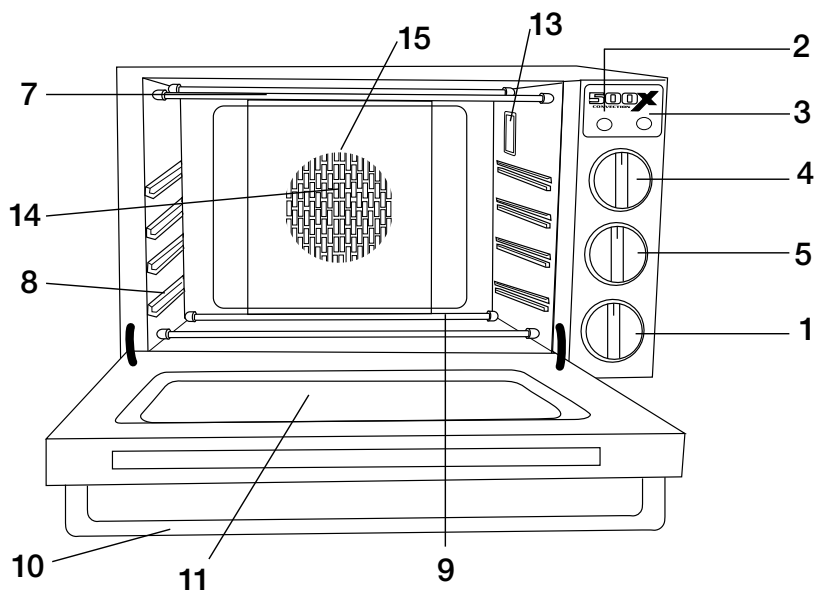
INTRODUCTION

La cuisson sur le comptoir n'est plus ce qu'elle était. Le four à convection Waring® Commercial en est la preuve concrète. La cuisson par convection emploie un élément chauffant arrière et un ventilateur qui fait circuler l'air chaud en permanence à l'intérieur du four afin d'assurer une répartition uniforme de la chaleur. Ce flux constant d'air élimine les hausses/pertes de température communes avec les fours traditionnels. La cuisson par convection permet d'utiliser des températures de cuisson 25°F (10°C) plus basses et réduit le temps de cuisson de 25–30 %, ce qui économise de l'énergie. Utilisez votre four à convection pour faire griller de la viande ou rôtir un poulet entier, faire des gâteaux, des biscuits et plus encore, facilement, rapidement et en toute sécurité. Il est très facile à nettoyer. C'est tout simplement une meilleure façon de cuisiner !

PIÈCES ET ACCESSOIRES (suite en page 7)

1. Bouton de réglage du temps de cuisson
2. Voyant de mise sous tension (rouge)
3. Voyant vert de mise à température
4. Bouton de sélection du mode de cuisson
5. Bouton de réglage de la température
6. Grilles
7. Éléments chauffants supérieurs
8. Supports des grilles
9. Éléments chauffants inférieurs
10. Poignée thermorésistante
11. Porte en verre trempé
12. Plat de cuisson en acier inoxydable
13. Éclairage
14. Ventilateur
15. Élément chauffant arrière (non illustré)





1. **Bouton de réglage du temps de cuisson**

Permet de programmer le temps de cuisson jusqu'à 120 minutes ou bien de mettre le four en marche sans minuterie (position OVEN ON). Si le temps de cuisson est inférieur à 20 minutes, tourner le bouton dans le sens des aiguilles d'une montre jusqu'à la marque des 20 minutes, puis dans le sens inverse jusqu'au temps désiré. Si le temps de cuisson est supérieur à 20 minutes, tourner le bouton directement jusqu'au chiffre voulu.

2. **Voyant de mise sous tension (rouge)**

- S'allume lorsque le four est allumé.
- S'éteint lorsque le four est éteint.

3. **Voyant vert de mise à température**

- S'allume lorsque le four atteint la température voulue.
- Ne fonctionne pas avec le mode "grill".
- S'éteint et s'allume tour à tour pendant la cuisson au fur et à mesure que le four régule la température interne.

4. **Bouton de sélection du mode de cuisson**

Permet de choisir un des 4 modes de cuisson disponibles :

BAKE (mode « Cuisson traditionnelle »)

Ce mode de cuisson utilise les éléments chauffants supérieurs et inférieurs uniquement. Le ventilateur ne se met pas en route pendant la cuisson. Utiliser ce mode de cuisson pour la cuisson sans convection.

CONV BAKE (mode « Cuisson par convection »)

Ce mode de cuisson utilise l'élément chauffant arrière et le ventilateur. ***Il s'agit d'un mode de cuisson efficace et rapide, idéal pour les pâtisseries, le pain, les soufflés ou la viande.***

ROAST (mode « Rôtisserie par convection »)

Ce mode de cuisson utilise les éléments chauffants supérieurs et inférieurs, ainsi que le ventilateur. ***C'est le mode de cuisson idéal pour rôtir du poulet, du porc ou des steaks.***

BROIL (mode « Grill »)

Ce mode de cuisson utilise la résistance supérieure. ***Il est idéal pour faire griller des filets de bœuf, des hamburgers, des blancs de poulet, des côtes d'agneau ou de porc, du poisson ou des steaks.***

5. Bouton de réglage de la température

Contrôle la température à l'intérieur du four. Le thermostat maintient le niveau de température pendant toute la durée de la cuisson.

6. Grilles

Grilles en acier chromé. Supportent les plats pendant la cuisson.

7. Éléments chauffants supérieurs

Deux éléments droits et un élément en forme de "U".

8. Supports des grilles

Permettent de positionner les grilles à quatre niveaux. Choisir le niveau approprié selon la hauteur des plats/aliments (cf. page 12).

9. Éléments chauffants inférieurs

Deux éléments droits.

10. Poignée thermorésistante

Poignée isolante, pour ne pas se brûler en touchant la porte.

11. Porte en verre trempé

Veiller à ce que la porte soit bien fermée pendant le préchauffage, la cuisson et la rôtisserie par convection. Ne pas toucher la porte pendant la cuisson. Laisser l'appareil refroidir avant de nettoyer la porte. Nettoyer la porte à l'aide d'un linge légèrement humide.

12. Plat de cuisson en acier inoxydable

Peut s'utiliser comme plat de cuisson ou lèche-frite/bac de récupération des graisses.

13. Éclairage

S'allume lorsque le four est allumé. Permet de surveiller la cuisson.

14. Ventilateur

Fait circuler l'air à l'intérieur du four pendant la cuisson, pour des résultats plus rapides et uniformes

15. Élément chauffant arrière

Situé derrière le panneau arrière du four.

AVANT D'UTILISER LE FOUR POUR LA PREMIÈRE FOIS

Avant la première utilisation :

- Laver les grilles et le plat de cuisson à la main dans de l'eau tiède savonneuse. Rincer et sécher toutes les pièces avant utilisation. Laver et sécher les pièces à la main uniquement.
- Essuyer l'intérieure du four à l'aide d'un linge humide. Au besoin, utiliser un peu de détergent. Ne pas utiliser de produits ou de matériaux abrasifs Ne pas toucher les éléments chauffants. Ne pas mouiller excessivement l'intérieur du four.
- Placer les grilles et le plat de cuisson à l'intérieur du four.
- Faire préchauffer le four à la température maximum pendant 5 minutes ou plus. Il se peut que le four émette une légère odeur de brûlé. Cela est normal. Cette odeur disparaîtra rapidement. **Remarque : Cette odeur n'est pas dangereuse.**
- Éteindre le four et le laisser refroidir. Essuyer une nouvelle fois l'intérieur du four à l'aide d'un linge humide.
- Veiller à ce que les ventilations ne soient pas obstruées.

FONCTIONNEMENT

IMPORTANT : Utiliser les grilles pour soutenir les petits plats de cuisson.

Mode « Cuisson traditionnelle »

Votre four inclut trois grilles pouvant être positionnées à quatre niveaux. Installer la grille à la position voulue (cf. page 12). Il est conseillé de ne pas utiliser plus d'une grille à la fois.

- Installer la grille à la position voulue.

- Régler le bouton de sélection du mode de cuisson sur BAKE.
- Régler la température au niveau voulu.
- Si vous souhaitez utiliser le minuteur, programmer le temps de cuisson (jusqu'à 120 minutes). Si le temps de cuisson est inférieur à 20 minutes, tourner le bouton dans le sens des aiguilles d'une montre jusqu'à la marque des 20 minutes, puis dans le sens inverse jusqu'au temps désiré. Si le temps de cuisson est supérieur à 20 minutes, tourner le bouton directement jusqu'au chiffre voulu.
- Si vous ne souhaitez pas utiliser le minuteur, régler le temps de cuisson sur OVEN ON.
- Toujours utiliser des poignées, maniques ou gants de cuisiniers pour retirer les plats du four.

Mode "Cuisson par convection"

Pour faire des pâtisseries, utiliser une température de 10°C (25°F) de moins que la température indiquée dans la recette. Pour faire cuire de la viande, utiliser la même température, mais réduire le temps de cuisson au besoin.

Vérifier si les pâtisseries sont cuites 10 minutes avant la fin du temps de cuisson recommandé et contrôler les grosses pièces de viande ou de volaille 20–40 minutes avant la fin du temps de cuisson recommandé.

Pour que la cuisson par convection soit efficace, il est important que l'air puisse circuler librement à l'intérieur du four. Il est donc conseillé d'utiliser des plats de cuisson peu profonds. Par exemple, utiliser une plaque/tôle à pâtisserie pour faire des biscuits. Pour faire cuire de la viande, utiliser un plat de cuisson peu profond. Il est également déconseillé de placer un couvercle sur le plat de cuisson.

- Installer la grille à la position voulue.
 - Régler le bouton de sélection du mode de cuisson sur CONV BAKE.
 - Régler le thermostat au niveau voulu.
 - Si vous souhaitez utiliser le minuteur, programmer le temps de cuisson (jusqu'à 120 minutes). Si le temps de cuisson est inférieur à 20 minutes, tourner le bouton dans le sens des aiguilles d'une montre jusqu'à la marque des 20 minutes, puis dans le sens inverse jusqu'au temps désiré.
- Si le temps de cuisson est supérieur à 20 minutes, tourner le

bouton directement jusqu'au chiffre voulu. Si vous ne souhaitez pas utiliser le minuteur, régler le temps de cuisson sur OVEN ON.

- Si vous faites griller la viande directement sur la grille, placer le plat de cuisson sur la grille du dessous pour recueillir la graisse.
- Lorsque la grille est à la position no. 1, placer le plat de cuisson bien au centre de cette dernière pour que l'air puisse circuler librement autour du plat.
- Toujours utiliser des poignées, maniques ou gants de cuisiniers pour retirer le plat du four.

Mode "Rôtisserie par convection"

- Installer la grille à la position voulue.
- Régler le bouton de sélection du mode de cuisson sur ROAST.
- Régler le thermostat au niveau voulu.
- Si vous souhaitez utiliser le minuteur, programmer le temps de cuisson (jusqu'à 120 minutes).
- Si vous souhaitez utiliser le minuteur, programmer le temps de cuisson (jusqu'à 120 minutes). Si le temps de cuisson est inférieur à 20 minutes, tourner le bouton dans le sens des aiguilles d'une montre jusqu'à la marque des 20 minutes, puis dans le sens inverse jusqu'au temps désiré.

Si le temps de cuisson est supérieur à 20 minutes, tourner le bouton directement jusqu'au chiffre voulu. Si vous ne souhaitez pas utiliser le minuteur, régler le temps de cuisson sur OVEN ON.

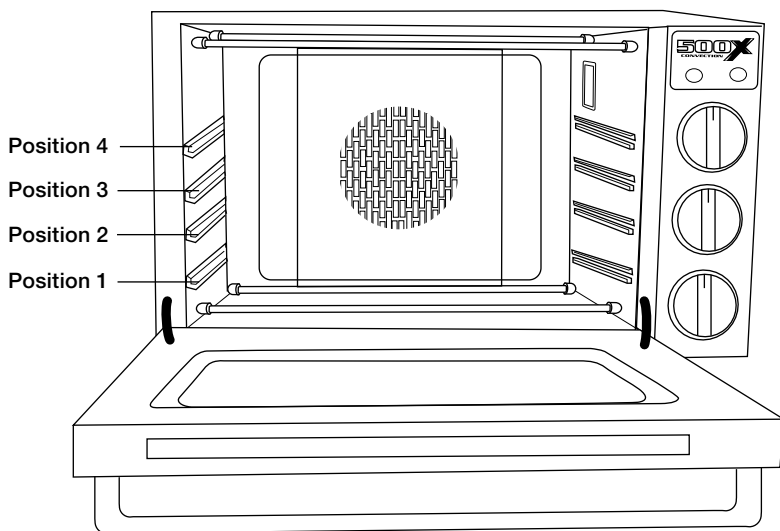
- Si vous faites griller la viande directement sur la grille, placer le plat de cuisson sur la grille du dessous pour recueillir la graisse.
- Toujours utiliser des poignées, maniques ou gants de cuisiniers pour retirer le plat du four.

Mode "Grill"

- Installer la grille à la position no. 4 (ou à la position désirée).
- Régler le bouton de sélection du mode de cuisson sur BROIL.
- Si vous souhaitez utiliser le minuteur, programmer le temps de cuisson (jusqu'à 120 minutes). Si le temps de cuisson est inférieur à 20 minutes, tourner le bouton dans le sens des aiguilles d'une montre jusqu'à la marque des 20 minutes, puis dans le sens inverse jusqu'au temps désiré. Si le temps de cuisson est supérieur à 20 minutes, tourner le bouton directement jusqu'au chiffre voulu.
- Garder la porte légèrement ouverte.

POSITIONS DES GRILLES

Les grilles peuvent être positionnées à quatre niveaux différents, comme l'indique le diagramme ci-dessous.



CAPACITÉS DU FOUR

Le four a une capacité de 42 litres. Il accommodera les plats et moules suivants :

Plat rectangulaire de 13 x 9 po. (33 x 23 cm)

Plat rectangulaire de 12 x 7½ po. (30,5 x 19 cm)

Plat rectangulaire de 11 x 7 po. (28 x 18 cm)

Deux moules à muffins (6 muffins) de 9 x 13 po. (23 x 33 cm)

Moule à muffins (12 muffins) de 9 x 13 po. (23 x 33 cm)

Moule à gâteau carré de 8 x 8 x 2 po. (20 x 20 x 5 cm)

Moule à pain de 10 x 5 x 3½ po. (25.5 x 13 x 9 cm)

Moule à pain de 8½ x 4½ x 2¾ po. (21.5 x 11.5 x 7 cm)

Moule rond de 8 po. (20 cm) de diamètre

Moule rond de 9 po. (23 cm) de diamètre

Plat à tarte de 10 po. (25.5 cm) de diamètre

Moule à tarte de 9½ po. (24 cm) de diamètre

Moule à Savarin de 3 L

Plaque/tôle à pâtisserie de 18 x 13 po. (46 x 33 cm)

CONSEILS UTILES

- Tourner le plat plusieurs fois pendant la cuisson afin d'assurer une cuisson uniforme.
- Il est conseillé de n'utiliser qu'un niveau à la fois. Si vous souhaitez utiliser plus d'une grille, tourner les plats et les changer de niveau en cours de cuisson.
- Ne pas pousser le plat ou la plaque/tôle à pâtisserie jusqu'au fond du four et laisser un espace de 2.5–5 cm tout autour de chaque plat afin que l'air puisse circuler librement à l'intérieur du four.
- Vérifier que les grilles se trouvent au niveau voulu avant d'allumer le four.
- Lorsque vous faites un gâteau, vérifier s'il est cuit au bout temps de cuisson minimum recommandé.

NETTOYAGE ET ENTRETIEN

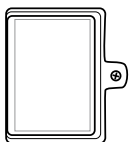
Laisser l'appareil refroidir avant de le nettoyer.

1. **Débrancher l'appareil avant de le nettoyer.**
2. Une fois refroidi, nettoyer l'intérieur et l'extérieur du four à l'aide d'un linge ou d'une éponge légèrement humide.
3. Ne pas mouiller excessivement l'intérieur du four. Cela pourrait provoquer des dommages sérieux.
4. Ne pas utiliser de matériaux abrasifs ni d'ustensiles durs ou coupants. Cela pourrait abîmer la surface du four.
5. Laver les grilles et le plat de cuisson à la main uniquement.
6. Nettoyer la porte en verre à l'aide d'un linge légèrement humide ou imbibé de produit pour vitres. L'essuyer à l'aide d'un linge propre.
7. Si le four n'a pas été utilisé pendant une période prolongée, le nettoyer avant de l'utiliser.
8. En cas de problème quelconque, appeler notre service après-vente au 1-800-492-7464.
9. Suivre les instructions suivantes pour resserrer ou remplacer l'ampoule située à l'arrière droit du four. Remarque : l'ampoule peut se desserrer pendant le transport :

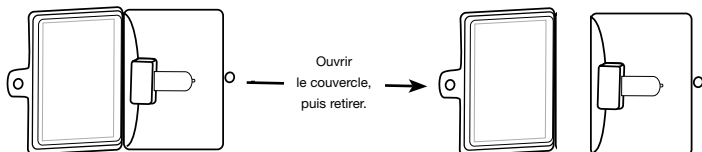
INSTALLATION/REMPLACEMENT DE L'AMPOULE D'ÉCLAIRAGE

Votre four est équipé d'une ampoule halogène qui dure plus longtemps que les ampoules traditionnelles et supporte des températures élevées. Pour remplacer l'ampoule, acheter une ampoule halogène de type G9 de 120V/25W et suivre les instructions suivantes :

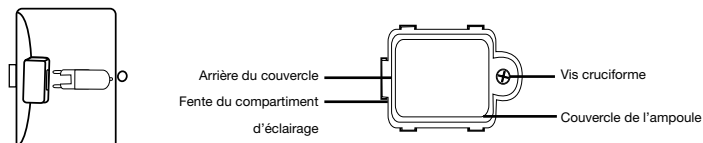
1. Vérifier que le four est débranché et froid.
2. Dévisser la vis du couvercle de l'ampoule à l'aide d'un tournevis cruciforme.



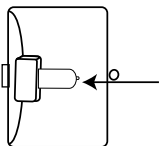
3. Retirer le couvercle.



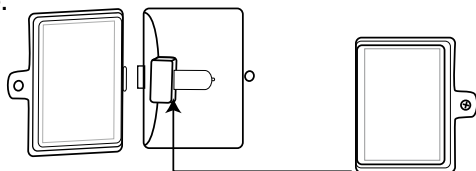
4. Tirer l'ampoule usée vers l'avant du four pour la retirer de la douille.



5. Installer la nouvelle ampoule selon les instructions, en évitant tout contact avec la peau. Cela réduirait la durée de vie de l'ampoule. Utiliser un mouchoir propre ou un gant pour tenir l'ampoule. Introduire l'ampoule dans la douille et pousser doucement pour la fixer.



6. Attacher le couvercle, en revissant la vis à l'aide d'un tournevis cruciforme.



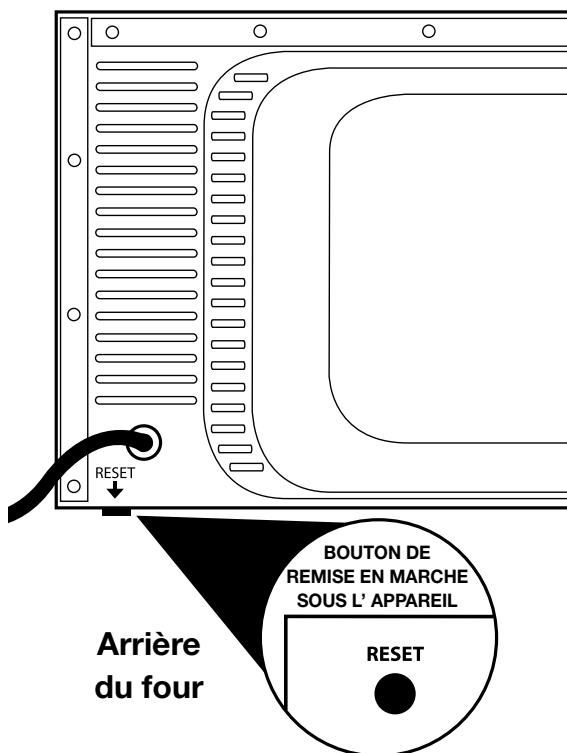
Toute autre opération d'entretien doit être effectuée par un service après-vente autorisé.

DISPOSITIFS DE SÉCURITÉ

Votre four à convection Waring® Commercial est équipé du dispositif de sécurité suivant:

Protection anti-surchauffe

L'appareil s'éteindra automatiquement en cas de surchauffe. Avant de remettre l'appareil en marche, le débrancher et le laisser refroidir. Une fois refroidi, repérer le bouton de remise en marche situé du côté droit du panneau arrière (cf. illustration). Enfoncer le bouton à l'aide d'un cure-dent ou d'un autre objet pointu, puis rebrancher l'appareil. Si l'appareil ne fonctionne pas après la remise en marche, contacter un service après-vente autorisé.



Trademarks or service marks of third parties used herein are
the trademarks or service marks of their respective owners.

Todas marcas registradas o marcas de comercio mencionadas
en ésta pertenecen a sus titulares respectivos.

Toutes marques déposées ou marques de commerce
ci-inclues appartiennent à leurs propriétaires respectifs.

©2013 Waring Commercial
314 Ella T. Grasso Ave
Torrington, CT 06790

www.waringcommercialproducts.com

Printed in China
Impreso en la China
Imprimé en Chine

WCO500X/WCO500XC IB
13WC132636

IB-11530