



# BB155

## 3/4 Horsepower Bar Blender with 44 oz. Copolyester Container



3/4 Horsepower Bar Blender with 44 oz. Copolyester Container



### MAIN FEATURES

- 3/4 HP, 2-speed commercial motor
- Rugged, two-piece stainless steel cutting blade is removable for easy cleaning and is user replaceable
- User-replaceable, metal-reinforced rubber drive coupling designed for maximum durability and simple replacement
- Recommended for up to 25 drinks per day
- 44 oz., dishwasher-safe, BPA-free copolyester container
- BPA free – all materials that come in contact with food
- Limited Two-Year Warranty

\*Made in USA with US and foreign parts.

### ELECTRICAL

Voltage: 120

Frequency: 60Hz

Watts: 560

Plug Type: NEMA 5-15P

Cord Length: 5 feet



### SALES FEATURES

The Waring BB155 3/4 HP bar blender with 2-speed, toggle-switch control and 44 oz. copolyester container is perfect for light beverage prep, such as frozen drinks, margaritas and more. Keep your beverage patrons happy with up to 25 drinks daily.



@waringcommercial

©2020 Waring Commercial  
314 Ella T. Grasso Avenue, Torrington, CT 06790  
Tel. 800-492-7464 • Fax 860-496-9008

waringcommercialproducts.com

BB155

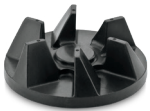
## PARTS & ACCESSORIES



**CAC134** 44 oz. BPA-Free Copolyester Blender Jar for BB155 Series



**CAC135** 32 oz. Stainless Steel Blender Container

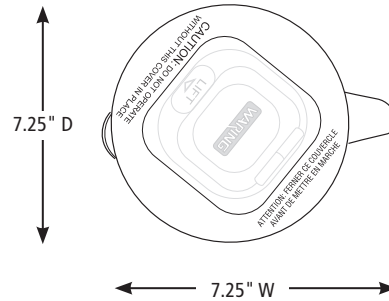
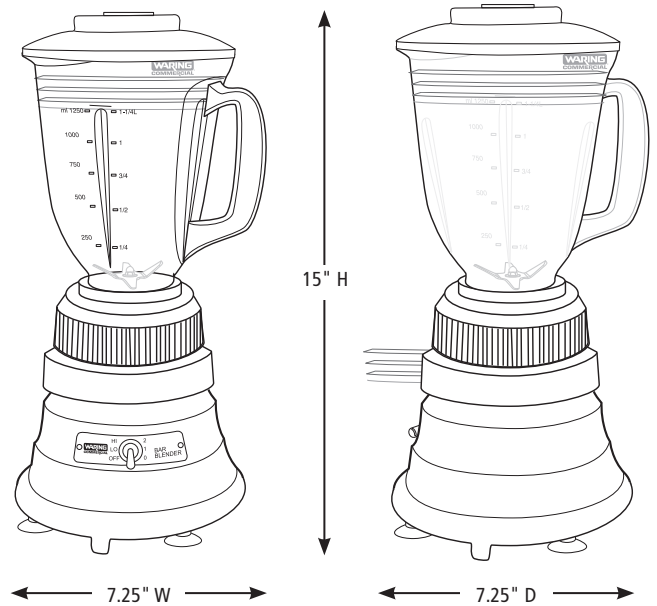


**CAC137** Clutch Repair Kit



**CAC102** Blade Repair Kit Including: Gasket, Blending Assembly and Coupling

## DIMENSIONS



Out of Box Weight: 5.8 lb.

ORDERING INFORMATION	#STD. PKG.	GIFTBOX WEIGHT	CUBIC FEET	BOX DIMENSIONS D X W X H	UPC	CASE PKG.	MC WEIGHT	MC DIMENSIONS D X W X H	MBC
BB155 – 3/4 Horsepower Bar Blender with 44 oz. Copolyester Jar	1	7.25	.615	9.75" x 8" x 13.625"	040072035265	2	15.55	16.375" x 10.25" x 14.25"	10040072035262



@waringcommercial

©2020 Waring Commercial  
314 Ella T. Grasso Avenue, Torrington, CT 06790  
Tel. 800-492-7464 • Fax 860-496-9008

waringcommercialproducts.com

20WC059579 / REV 02/20